

# DRYER INSTALLATION INSTRUCTIONS

## INSTRUCTIONS POUR L'INSTALLATION DE LA SÉCHEUSE

### Table of Contents

|   |    |
|---|----|
| DRYER SAFETY .....                              | 2  |
| INSTALLATION REQUIREMENTS.....                  | 4  |
| Tools and Parts.....                            | 4  |
| LOCATION REQUIREMENTS.....                      | 5  |
| ELECTRICAL REQUIREMENTS - U.S.A. ONLY.....      | 7  |
| ELECTRIC DRYER POWER HOOKUP - CANADA ONLY ..... | 8  |
| GAS DRYER POWER HOOKUP .....                    | 8  |
| INSTALL LEVELING LEGS.....                      | 10 |
| MAKE ELECTRICAL CONNECTION - U.S.A. ONLY .....  | 11 |
| Power Supply Cord Connection.....               | 11 |
| 4-Wire Power Supply Cord Connection.....        | 12 |
| MAKE GAS CONNECTION.....                        | 17 |
| VENTING.....                                    | 18 |
| Venting Requirements.....                       | 18 |
| Plan Vent System .....                          | 19 |
| Install Vent System.....                        | 20 |
| CONNECT INLET HOSE .....                        | 21 |
| CONNECT VENT .....                              | 22 |
| LEVEL DRYER.....                                | 23 |
| COMPLETE INSTALLATION CHECKLIST.....            | 23 |
| DOOR REVERSAL (OPTIONAL).....                   | 24 |

### Table des matières

|   |    |
|---|----|
| SÉCURITÉ DE LA SÉCHEUSE .....   | 30 |
| EXIGENCES D'INSTALLATION .....  | 32 |
| Outillage et pièces.....  | 32 |
| EXIGENCES D'EMPLACEMENT.....  | 33 |
| SÉCHEUSE ÉLECTRIQUE RACCORDEMENT<br>À L'ALIMENTATION ÉLECTRIQUE -<br>CANADA SEULEMENT ..... | 36 |
| RACCORDEMENT D'UNE SÉCHEUSE À GAZ .....   | 37 |
| INSTALLATION DES PIEDS DE NIVELLEMENT .....   | 38 |
| RACCORDEMENT AU GAZ.....  | 39 |
| ÉVACUATION .....  | 40 |
| Exigences concernant l'évacuation .....   | 40 |
| Planification du système d'évacuation .....   | 41 |
| Installation du système d'évacuation .....  | 42 |
| RACCORDEMENT DU TUYAU D'ALIMENTATION<br>(MODÈLE À VAPEUR UNIQUEMENT) .....                  | 43 |
| RACCORDEMENT DU CONDUIT D'ÉVACUATION .....  | 44 |
| RÉGLAGE DE L'APLOMB DE LA SÉCHEUSE .....  | 45 |
| ACHEVER L'INSTALLATION LISTE DE VÉRIFICATION.....   | 45 |
| INVERSION DE LA PORTE (FACULTATIF).....   | 46 |

Para una version de estas instrucciones en español, visite [www.whirlpool.com](http://www.whirlpool.com)

#### INSTALLATION NOTES

Date of purchase: \_\_\_\_\_  
 Date of installation: \_\_\_\_\_  
 Installer: \_\_\_\_\_  
 Model number: \_\_\_\_\_  
 Serial number: \_\_\_\_\_

#### NOTES CONCERNANT L'INSTALLATION

Date d'achat: \_\_\_\_\_  
 Date d'installation: \_\_\_\_\_  
 Installateur: \_\_\_\_\_  
 Numéro de modèle: \_\_\_\_\_  
 Numéro de série: \_\_\_\_\_



# DRYER SAFETY

## Your safety and the safety of others are very important.

We have provided many important safety messages in this manual and on your appliance. Always read and obey all safety messages.



This is the safety alert symbol.

This symbol alerts you to potential hazards that can kill or hurt you and others.

All safety messages will follow the safety alert symbol and either the word “DANGER” or “WARNING.”

These words mean:

 **DANGER**

You can be killed or seriously injured if you don't immediately follow instructions.

 **WARNING**

You can be killed or seriously injured if you don't follow instructions.

All safety messages will tell you what the potential hazard is, tell you how to reduce the chance of injury, and tell you what can happen if the instructions are not followed.



## **WARNING** - “Risk of Fire”

- Clothes dryer installation must be performed by a qualified installer.
- Install the clothes dryer according to the manufacturer's instructions and local codes.
- Do not install a clothes dryer with flexible plastic venting materials or flexible metal (foil type) duct. If flexible metal duct is installed, it must be of a specific type identified by the appliance manufacturer as suitable for use with clothes dryers. Flexible venting materials are known to collapse, be easily crushed, and trap lint. These conditions will obstruct clothes dryer airflow and increase the risk of fire.
- To reduce the risk of severe injury or death, follow all installation instructions.
- Save these instructions.

### **WARNING**

#### **Fire Hazard**

Failure to follow safety warnings exactly could result in serious injury, death, or property damage.

**Do not install a booster fan in the exhaust duct.**

**Install all clothes dryers in accordance with the installation instructions of the manufacturer of the dryer.**

 **WARNING:**

**FIRE OR EXPLOSION HAZARD**

Failure to follow safety warnings exactly could result in serious injury, death or property damage.

- Do not store or use gasoline or other flammable vapors and liquids in the vicinity of this or any other appliance.
- **WHAT TO DO IF YOU SMELL GAS:**
  - Do not try to light any appliance.
  - Do not touch any electrical switch; do not use any phone in your building.
  - Clear the room, building, or area of all occupants.
  - Immediately call your gas supplier from a neighbor's phone. Follow the gas supplier's instructions.
  - If you cannot reach your gas supplier, call the fire department.
- Installation and service must be performed by a qualified installer, service agency, or the gas supplier.

**WARNING:** Gas leaks cannot always be detected by smell.

Gas suppliers recommend that you use a gas detector approved by UL or CSA.

For more information, contact your gas supplier.

If a gas leak is detected, follow the "What to do if you smell gas" instructions.

**IMPORTANT:** The gas installation must conform with local codes, or in the absence of local codes, with the National Fuel Gas Code, ANSI Z223.1/NFPA 54, or the Natural Gas and Propane Installation Code, CSA B149.1.

The dryer must be electrically grounded in accordance with local codes, or in the absence of local codes, with the National Electrical Code, ANSI/NFPA 70, or the Canadian Electrical Code, Part 1, CSA C22.1.

In the State of Massachusetts, the following installation instructions apply:

- Installations and repairs must be performed by a qualified or licensed contractor, plumber, or gas fitter qualified or licensed by the State of Massachusetts.
- Acceptable Shut-off Devices: Gas Cocks and Ball Valves installed for use shall be listed.
- A flexible gas connector, when used, must not exceed 4 feet (121.9 cm).

**IMPORTANT SAFETY INSTRUCTIONS**

When discarding or storing your old clothes dryer, remove the door.

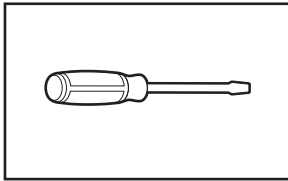
**SAVE THESE INSTRUCTIONS**

# INSTALLATION REQUIREMENTS

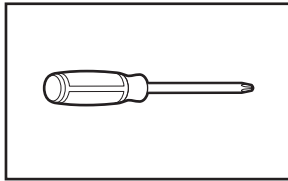
## Tools and Parts

Gather the required tools and parts before starting installation.

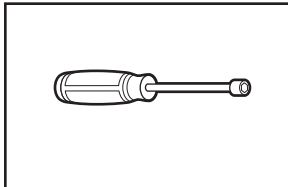
### Tools needed for all installations:



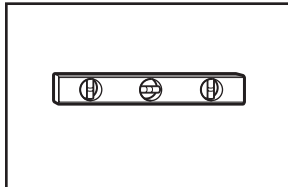
Flat-blade screwdriver



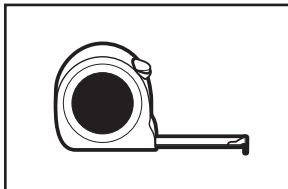
#2 Phillips screwdriver



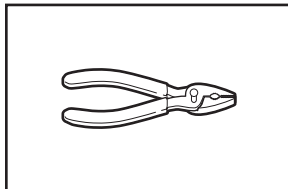
1/4" (6 mm) and 5/16" (8 mm) nut driver (recommended)



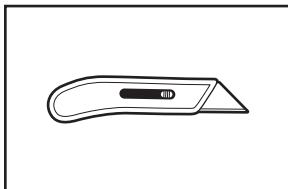
Level



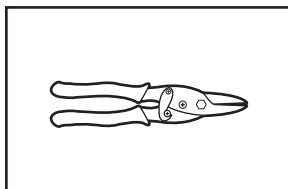
Tape measure



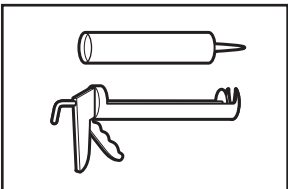
Pliers



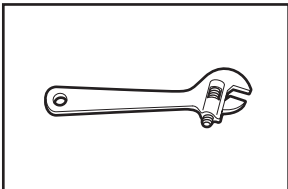
Utility knife



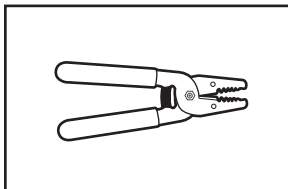
Tin snips (new vent installations)



Caulking gun and compound (new vent installations)

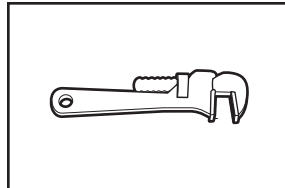


Adjustable wrench that opens to 1" (25 mm) or hex-head socket wrench

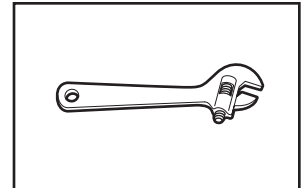


Wire stripper (direct wire installations)

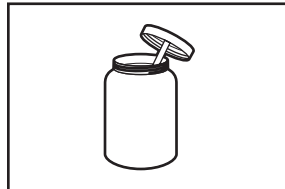
### Tools needed for gas installations:



8" (203 mm) or 10" (254 mm) pipe wrench

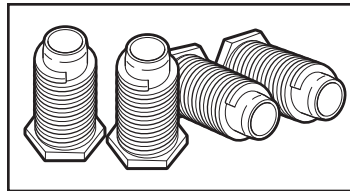


8" (203 mm) or 10" (254 mm) adjustable wrench (for gas connections)



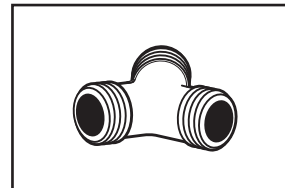
Pipe-joint compound resistant to propane gas

### Parts supplied (all models):

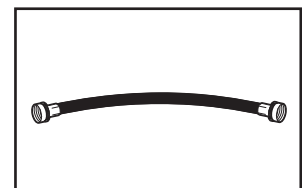


Leveling legs (4)

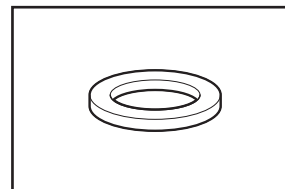
### Parts needed (steam models):



"Y" connector



2' (0.6 m) inlet hose



Rubber washer



5' (1.52 m) inlet hose

Parts package is located in dryer drum. Check that all parts are included.

**NOTE:** Do not use leveling legs supplied with dryer if installing with a pedestal or a stack kit.

### Parts needed (not supplied with dryer):

- Vent clamps
- Vent elbows and vent work

Additional parts may be required, depending on your installation. Check local codes. Check existing electrical supply and venting. Read "Electrical Requirements" and "Venting Requirements" before purchasing parts.

**If using a power supply cord:**

Use a UL Listed power supply cord kit marked for use with clothes dryers. The kit should contain:

- A UL Listed 30 A power supply cord, rated 120/240 V minimum. The cord should be type SRD or SRDT and be at least 4 ft. (1.22 m) long. The wires that connect to the dryer must end in ring terminals or spade terminals with upturned ends.
- A UL Listed strain relief.


**Optional Equipment (not supplied with dryer):**

Refer to your Use and Care Guide for information about accessories available for your dryer.

**LOCATION REQUIREMENTS**

Check code requirements. Some codes limit, or do not permit, installing dryer in garages, closets, mobile homes, or sleeping quarters. Contact your local building inspector.

⚠ WARNING



Explosion Hazard

**Keep flammable materials and vapors, such as gasoline, away from dryer.**

**Place dryer at least 18 inches (460 mm) above the floor for a garage installation.**

**Failure to do so can result in death, explosion, or fire.**

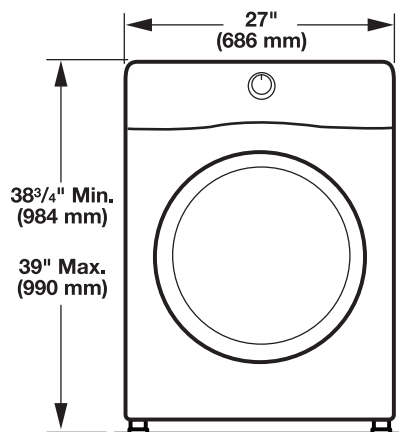
**You will need:**

- A location allowing for proper exhaust installation. See "Venting Requirements."
- A separate 15 or 20 A circuit for a gas dryer or 30 A circuit for an electric dryer.
- If using power supply cord, a grounded electrical outlet located within 2 ft. (610 mm) of either side of dryer. See "Electrical Requirements."
- Floor must support dryer weight of 200 lbs. (90.7 kg). Also consider weight of companion appliance.
- Cold water faucets located within 4 ft. (1.2 m) of the water fill valves, and water pressure of 20–120 psi (138–827 kPa). You may use your washer's water supply by purchasing the necessary parts noted in "Parts needed."
- Level floor with maximum slope of 1" (25 mm) under entire dryer. If slope is greater than 1" (25 mm), install Extended Dryer Feet Kit, Part Number 279810. If not level, clothes may not tumble properly and automatic sensor cycles may not operate correctly.
- For garage installation, place dryer at least 18" (460 mm) above floor. If using a pedestal, you will need 18" (460 mm) to bottom of dryer.
- The dryer must not be installed or stored in an area where it will be exposed to water and/or weather.

**IMPORTANT:** Do not operate, install, or store dryer where it will be exposed to water, weather, or at temperatures below 40°F (4°C). Lower temperatures may cause dryer not to shut off at end of automatic sensor cycles, resulting in longer drying times.

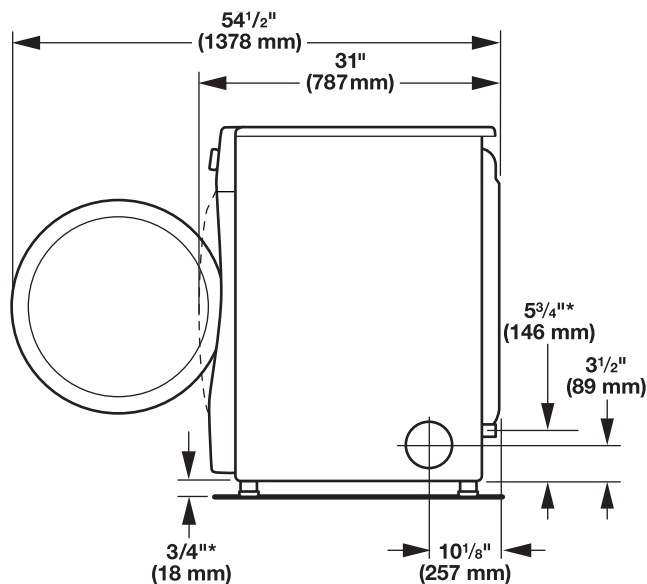
**DRYER DIMENSIONS**

**Front view:**



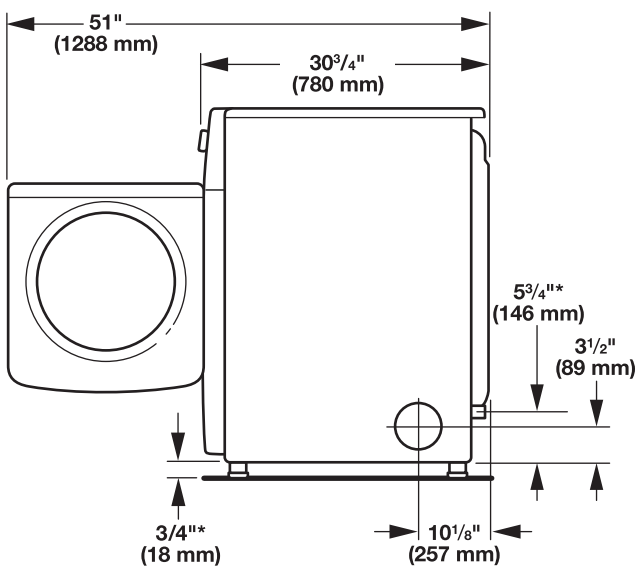
**Side view:**

**Whirlpool® Models**



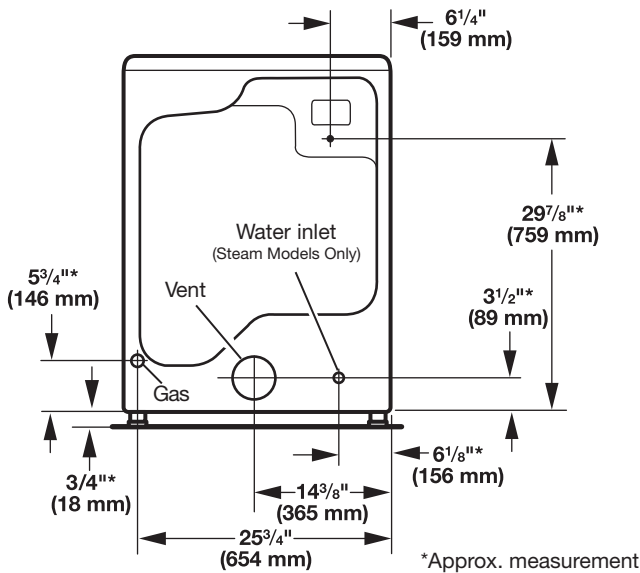
\*Approx. measurement

**Maytag® Models**



\*Approx. measurement

**Back view:**



**NOTE:** Most installations require a minimum of 5" (127 mm) clearance behind dryer for exhaust vent with elbow. See "Venting Requirements."

**Installation Clearances**

For each arrangement, consider allowing more space for ease of installation and servicing, spacing for companion appliances, and clearances for walls, doors, and floor moldings. Space must be large enough to allow door to fully open. Add spacing on all sides of dryer to reduce noise transfer. If a closet door or louvered door is installed, top and bottom air openings in door are required.

Check code requirements. Some codes limit, or do not permit, installation of the dryer in garages, closets, mobile homes, or sleeping quarters. Contact your local building inspector.

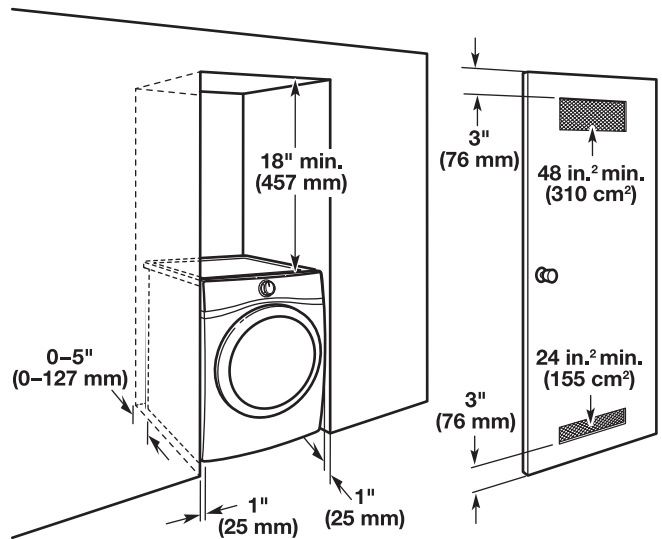
**NOTE:** No other fuel-burning appliance can be installed in the same closet as a dryer.

**Installation spacing for recessed area or closet installation**

All dimensions show recommended and minimum spacing allowed.

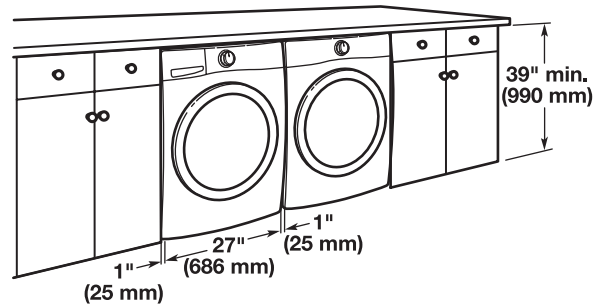
- Additional spacing should be considered for ease of installation and servicing.
- Additional clearances might be required for wall, door, floor moldings, dryer venting, and gas line.
- Additional spacing should be considered on all sides of the dryer to reduce noise transfer.
- For closet installation with a door, minimum ventilation openings in the top and bottom of the door are required. Louvered doors with equivalent ventilation openings are acceptable.
- Companion appliance spacing should also be considered.

**Recommended installation clearances (dryer only):**



0" (0 mm) rear spacing is allowed for straight back venting only. For steam models only, inlet hose must not be kinked.

**Custom under-counter installation:**



**Mobile home – Additional installation requirements:**

This dryer is suitable for mobile home installations. The installation must conform to the Manufactured Home Construction and Safety Standard, Title 24 CFR, Part 3280 (formerly the Federal Standard for Mobile home construction and Safety, Title 24, HUD Part 280) or Standard CAN/CSA-Z240 MH.

**Mobile home installations require:**

- Metal exhaust system hardware, available for purchase from your dealer. For further information, see "Assistance or Service" in your Use and Care Guide.
- Special provisions must be made in mobile homes to introduce outside air into dryer. Openings (such as a nearby window) should be at least twice as large as dryer exhaust opening.

**For mobile home installation of gas dryers:**

- Mobile Home Installation Hold-down Kit Part Number 346764 is available to order. For further information, see "Assistance or Service" in your Use and Care Guide.

# ELECTRICAL REQUIREMENTS – U.S.A. ONLY

## It is your responsibility:

- To contact a qualified electrical installer.
- To be sure that the electrical connection is adequate and in conformance with the National Electrical Code, ANSI/NFPA 70 – latest edition and all local codes and ordinances.

The National Electrical Code requires a 4-wire power supply connection for homes built after 1996, dryer circuits involved in remodeling after 1996, and all mobile home installations.

A copy of the above code standards can be obtained from: National Fire Protection Association, One Batterymarch Park, Quincy, MA 02269.

- To supply the required 3 or 4 wire, single-phase, 120/240 V, 60 Hz, AC-only electrical supply (or 3 or 4 wire, 120/208 V electrical supply, if specified on the serial/rating plate) on a separate 30 A circuit, fused on both sides of the line. Connect to an individual branch circuit. Do not have a fuse in the neutral or grounding circuit.
- Do not use an extension cord.
- If codes permit and a separate ground wire is used, it is recommended that a qualified electrician determine that the ground path is adequate.

## Electrical Connection

To properly install your dryer, you must determine the type of electrical connection you will be using and follow the instructions provided for it here.

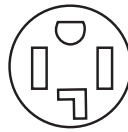
- This dryer is manufactured ready to install with a 3-wire electrical supply connection. The neutral ground conductor is permanently connected to the neutral conductor (white wire) within the dryer. If the dryer is installed with a 4-wire electrical supply connection, the neutral ground conductor must be removed from the external ground connector (green screw), and secured under the neutral terminal (center or white wire) of the terminal block. When the neutral ground conductor is secured under the neutral terminal (center or white wire) of the terminal block, the dryer cabinet is isolated from the neutral conductor. The green ground wire of the 4-wire power cord must be secured to the dryer cabinet with the green ground screw.
- If local codes do not permit the connection of a neutral ground wire to the neutral wire, see “Optional External Ground for 3-Wire Connection” in the “Power Supply Cord Connection” section.
- A 4-wire power supply connection must be used when the appliance is installed in a location where grounding through the neutral conductor is prohibited. Grounding through the neutral is prohibited for (1) new branch-circuit installations after 1996, (2) mobile homes, (3) recreational vehicles, and (4) areas where local codes prohibit grounding through the neutral conductors.

## If using a power supply cord:

Use a UL Listed power supply cord kit marked for use with clothes dryers. The kit should contain:

- A UL Listed 30 A power supply cord, rated 120/240 V minimum. The cord should be type SRD or SRDT and be at least 4 ft. (1.22 m) long. The wires that connect to the dryer must end in ring terminals or spade terminals with upturned ends.
- A UL Listed strain relief.

## If your outlet looks like this:



4-wire receptacle (14-30R)

Then choose a 4-wire power supply cord with ring or spade terminals and UL Listed strain relief. The 4-wire power supply cord, at least 4 ft. (1.22 m) long, must have four 10-gauge copper wires and match a 4-wire receptacle of NEMA Type 14-30R. The ground wire (ground conductor) may be either green or bare. The neutral conductor must be identified by a white cover.



3-wire receptacle (10-30R)

Then choose a 3-wire power supply cord with ring or spade terminals and UL listed strain relief. The 3-wire power supply cord, at least 4 ft. (1.22 m) long, must have three 10-gauge copper wires and match a 3-wire receptacle of NEMA Type 10-30R.

## If connecting by direct wire:

Power supply cable must match power supply (4-wire or 3-wire) and be:

- Flexible armored cable or nonmetallic sheathed copper cable (with ground wire), covered with flexible metallic conduit. All current-carrying wires must be insulated.
- 10-gauge solid copper wire (do not use aluminum) at least 5 ft. (1.52 m) long.

## GROUNDING INSTRUCTIONS

- For a grounded, cord-connected dryer:  
This dryer must be grounded. In the event of malfunction or breakdown, grounding will reduce the risk of electric shock by providing a path of least resistance for electric current. This dryer uses a cord having an equipment-grounding conductor and a grounding plug. The plug must be plugged into an appropriate outlet that is properly installed and grounded in accordance with all local codes and ordinances.
- For a permanently connected dryer:  
This dryer must be connected to a grounded metal, permanent wiring system, or an equipment-grounding conductor must be run with the circuit conductors and connected to the equipment-grounding terminal or lead on the dryer.

**WARNING:** Improper connection of the equipment-grounding conductor can result in a risk of electric shock. Check with a qualified electrician or service representative or personnel if you are in doubt as to whether the dryer is properly grounded. Do not modify the plug on the power supply cord: if it will not fit the outlet, have a proper outlet installed by a qualified electrician.

## SAVE THESE INSTRUCTIONS

# ELECTRIC DRYER POWER HOOKUP – CANADA ONLY

## ELECTRICAL REQUIREMENTS

### **WARNING**



#### Electrical Shock Hazard

**Plug into a grounded 4 prong outlet.**

**Failure to do so can result in death or electrical shock.**

#### It is your responsibility:

- To contact a qualified electrical installer.
- To be sure that the electrical connection is adequate and in conformance with Canadian Electrical Code, C22.1 – latest edition and all local codes. A copy of above codes standard may be obtained from: Canadian Standards Association, 178 Rexdale Blvd., Toronto, ON M9W 1R3 CANADA.
- To supply the required 4-wire, single-phase, 120/240 V, 60 Hz, AC-only electrical supply on a separate 30 A circuit, fused on both sides of the line. A time-delay fuse or circuit breaker is recommended. Connect to an individual branch circuit.
- This dryer is equipped with a UL Listed and/or CSA International Certified Power Cord intended to be plugged into a standard 14-30R wall receptacle. The cord is 5 ft. (1.52 m) long. Be sure wall receptacle is within reach of dryer's final location.



4-wire receptacle  
(14-30R)

If using a replacement power supply cord, it is recommended that you use Power Supply Cord Replacement Part Number 8529008.

For further information, please reference service numbers located in the “Assistance or Service” section of your Use and Care Guide.

### **GROUNDING INSTRUCTIONS**

- For a grounded, cord-connected dryer:  
This dryer must be grounded. In the event of malfunction or breakdown, grounding will reduce the risk of electric shock by providing a path of least resistance for electric current. This dryer is equipped with a cord having an equipment-grounding conductor and a grounding plug. The plug must be plugged into an appropriate outlet that is properly installed and grounded in accordance with all local codes and ordinances.

**WARNING:** Improper connection of the equipment-grounding conductor can result in a risk of electric shock. Check with a qualified electrician or service representative or personnel if you are in doubt as to whether the dryer is properly grounded. Do not modify the plug provided with the dryer: if it will not fit the outlet, have a proper outlet installed by a qualified electrician.

### **SAVE THESE INSTRUCTIONS**

# GAS DRYER POWER HOOKUP

## ELECTRICAL REQUIREMENTS

### **WARNING**



#### Electrical Shock Hazard

**Plug into a grounded 3 prong outlet.**

**Do not remove ground prong.**

**Do not use an adapter.**

**Do not use an extension cord.**

**Failure to follow these instructions can result in death, fire, or electrical shock.**

- 120 V, 60 Hz, AC-only, 15 or 20 A fused electrical supply is required. A time-delay fuse or circuit breaker is recommended. It is also recommended that a separate circuit serving only this dryer be provided.

### **GROUNDING INSTRUCTIONS**

- For a grounded, cord-connected dryer:  
This dryer must be grounded. In the event of malfunction or breakdown, grounding will reduce the risk of electric shock by providing a path of least resistance for electric current. This dryer is equipped with a cord having an equipment-grounding conductor and a grounding plug. The plug must be plugged into an appropriate outlet that is properly installed and grounded in accordance with all local codes and ordinances.

**WARNING:** Improper connection of the equipment-grounding conductor can result in a risk of electric shock. Check with a qualified electrician or service representative or personnel if you are in doubt as to whether the dryer is properly grounded. Do not modify the plug provided with the dryer: if it will not fit the outlet, have a proper outlet installed by a qualified electrician.

### **SAVE THESE INSTRUCTIONS**



## GAS SUPPLY REQUIREMENTS

### **⚠ WARNING**



#### **Explosion Hazard**

**Use a new CSA International approved gas supply line.**

**Install a shut-off valve.**

**Securely tighten all gas connections.**

**If connected to propane, have a qualified person make sure gas pressure does not exceed 13" (33 cm) water column.**

**Examples of a qualified person include:  
licensed heating personnel,  
authorized gas company personnel, and  
authorized service personnel.**

**Failure to do so can result in death, explosion, or fire.**

## **GAS TYPE**

### **Natural Gas:**

This dryer is equipped for use with natural gas. It is certified by UL for use with propane gas with appropriate conversion.

- Your dryer must have the correct burner for the type of gas in your home. Burner information is located on the rating plate in the door well of your dryer. If this information does not agree with the type of gas available, contact your dealer or call the phone numbers referenced in the "Assistance or Service" section of your Use and Care Guide.

### **Propane Gas Conversion:**

**IMPORTANT:** Conversion must be made by a qualified technician.

No attempt shall be made to convert the appliance from the gas specified on the model/serial rating plate for use with a different gas without consulting your gas company.

## **GAS SUPPLY LINE**

### **Option 1 (Recommended Method)**

Flexible stainless steel gas connector:

- If local codes permit, use a new flexible stainless steel gas connector (Design Certified by the American Gas Association or CSA International) to connect your dryer to the rigid gas supply line. Use an elbow and a 3/8" flare x 3/8" NPT adapter fitting between the stainless steel gas connector and the dryer gas pipe, as needed, to prevent kinking.

### **Option 2 (Alternate Method)**

Approved aluminum or copper tubing:

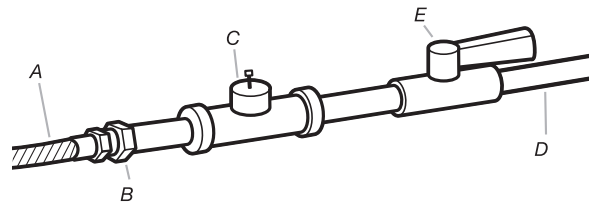
- Must include 1/8" NPT minimum plugged tapping accessible for test gauge connection, immediately upstream of the gas connection to the dryer. See illustration below.
- 1/2" IPS pipe is recommended.
- 3/8" approved aluminum or copper tubing is acceptable for lengths under 20 ft. (6.1 m) if local codes and gas supplier permit.
- If you are using natural gas, do not use copper tubing.
- Lengths over 20 ft. (6.1 m) should use larger tubing and a different size adapter fitting.
- If your dryer has been converted to use propane gas, 3/8" propane compatible copper tubing can be used. If the total length of the supply line is more than 20 ft. (6.1 m), use larger pipe.  
**NOTE:** Pipe-joint compounds that resist the action of propane gas must be used. Do not use TEFLON<sup>®</sup> tape.
- Must include shut-off valve.

### **In the U.S.A.:**

An individual manual shut-off valve must be installed within six (6) ft. (1.8 m) of the dryer in accordance with the National Fuel Gas Code, ANSI Z223.1. The location should be easy to reach for opening and closing.

### **In Canada:**

An individual manual shut-off valve must be installed in accordance with the B149.1, Natural Gas and Propane Installation Code. It is recommended that an individual manual shut-off valve be installed within six (6) ft. (1.8 m) of the dryer. The location should be easy to reach for opening and closing.



- A. 3/8" flexible gas connector
- B. 3/8" pipe to flare adapter fitting
- C. 1/8" NPT minimum plugged tapping
- D. 1/2" NPT gas supply line
- E. Gas shut-off valve

†<sup>®</sup>TEFLON is a registered trademark of Chemours.

## GAS SUPPLY CONNECTION REQUIREMENTS

- Use an elbow and a 3/8" flare x 3/8" NPT adapter fitting between the flexible gas connector and the dryer gas pipe, as needed to avoid kinking.
- Use only pipe-joint compound. Do not use TEFLON® tape.
- This dryer must be connected to the gas supply line with a listed flexible gas connector that complies with the standard for connectors for gas appliances, ANSI Z21.24 or CSA 6.10.

## BURNER INPUT REQUIREMENTS

### Elevations above 2,000 ft. (610 m):

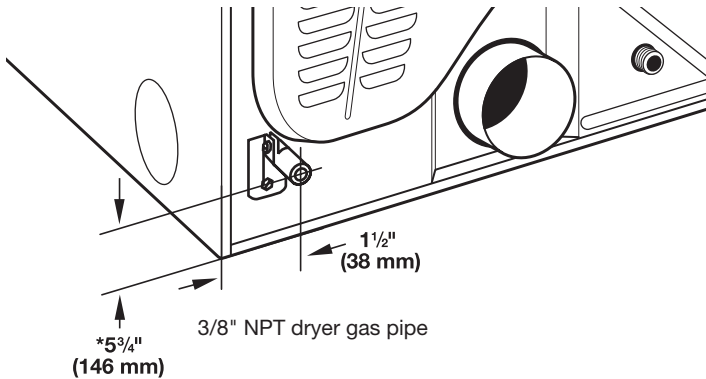
- When installed above 2,000 ft. (610 m) a 4% reduction of the burner Btu rating shown on the model/serial number plate is required for each 1,000 ft. (305 m) increase in elevation.

## Gas supply pressure testing

- The dryer must be disconnected from the gas supply piping system during pressure testing at pressures greater than 1/2 psi.

## DRYER GAS PIPE

- The gas pipe that comes out through the rear of your dryer has a 3/8" male pipe thread.



**\*NOTE:** If the dryer is mounted on a pedestal, the gas pipe height must be an additional 10" (254 mm) or 15.5" (394 mm) from the floor, depending on the pedestal model. For a garage installation, the gas pipe height must be an additional 18" (460 mm) from the floor.

## INSTALL LEVELING LEGS

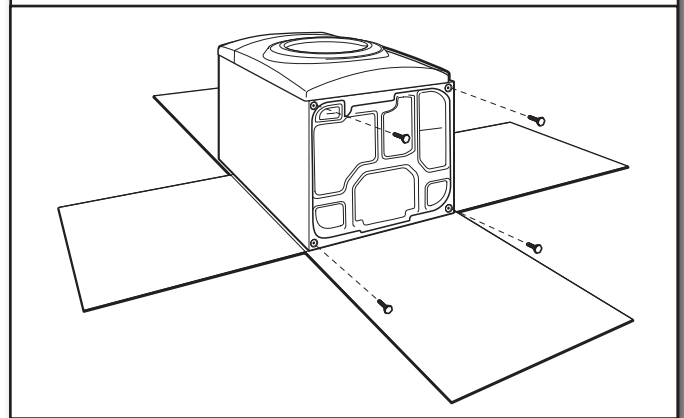
### ⚠ WARNING

#### Excessive Weight Hazard

Use two or more people to move and install dryer.

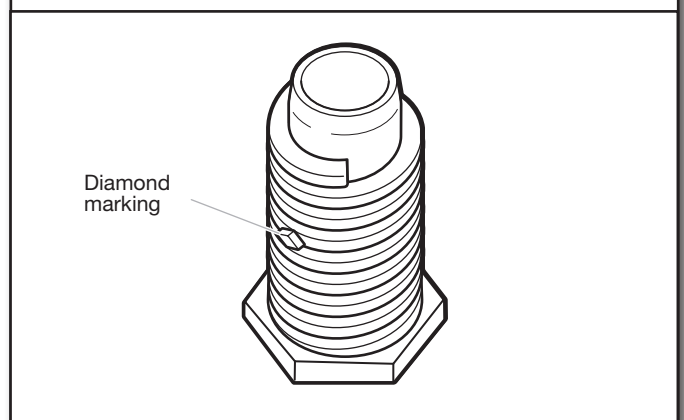
Failure to do so can result in back or other injury.

### 1. Prepare dryer for leveling legs



To avoid damaging floor, use a large flat piece of cardboard from dryer carton; place under entire back edge of dryer. Firmly grasp dryer body (not console panel) and gently lay dryer down on cardboard.

### 2. Screw in leveling legs



Examine leveling legs and locate the diamond marking. Screw legs into leg holes by hand – use a wrench to finish turning legs until diamond marking is no longer visible.

Place a carton corner post from dryer packaging under each of the two dryer back corners. Stand the dryer up. Slide the dryer on the corner posts until it is close to its final location. Leave enough room to connect the exhaust vent.

# MAKE ELECTRICAL CONNECTION – U.S.A. ONLY

## ELECTRICAL CONNECTION

Before you start: disconnect power.

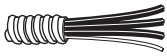
### 1. Choose electrical connection type



Power supply cord 4-wire receptacle (NEMA Type 14-30R).  
Go to “Power Supply Cord Connection.”



Power supply cord 3-wire receptacle (NEMA Type 10-30R).  
Go to “Power Supply Cord Connection.”



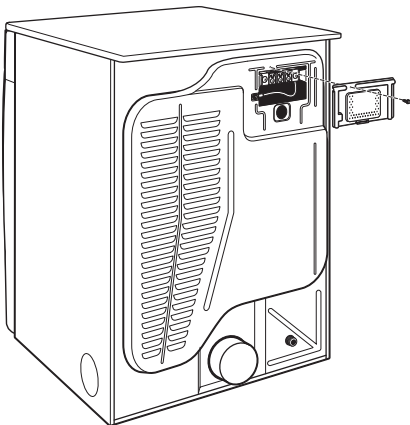
4-wire direct connection:  
Go to “Direct Wire Connection.”



3-wire direct connection:  
Go to “Direct Wire Connection.”

**NOTE:** If local codes do not permit connection of a cabinet-ground conductor to neutral wire, go to “Optional External Ground for 3-Wire Connection.” This connection may be used with either a power supply cord or a direct wire connection.

### 2. Remove terminal block cover



Remove hold-down screw and terminal block cover.

## Power Supply Cord Connection

Power Supply Cord:

### ⚠ WARNING



#### Fire Hazard

Use a new UL listed 30 amp power supply cord.

Use a UL listed strain relief.

Disconnect power before making electrical connections.

Connect neutral wire (white or center wire) to center terminal (silver).

Ground wire (green or bare wire) must be connected to green ground connector.

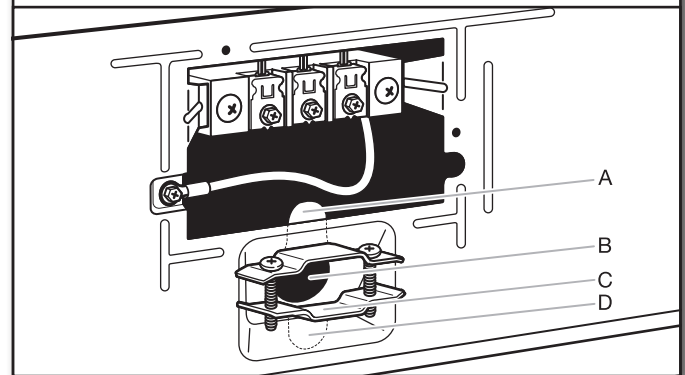
Connect remaining 2 supply wires to remaining 2 terminals (gold).

Securely tighten all electrical connections.

Failure to do so can result in death, fire, or electrical shock.

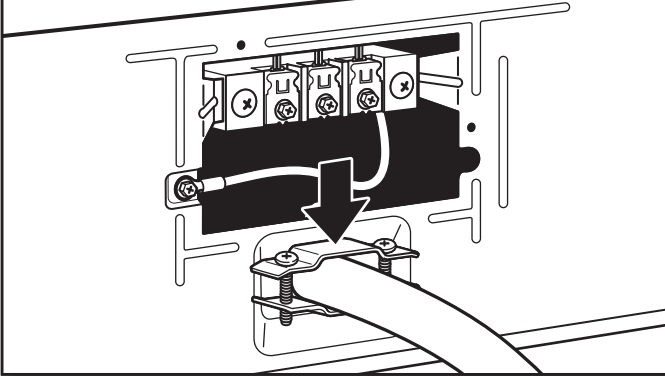
### Power supply cord strain relief

#### 1. Attach power supply cord strain relief



Remove the screws from a 3/4" (19 mm) UL Listed strain relief. Put the tabs of the two clamp sections (C) into the hole below the terminal block opening (B) so that one tab is pointing up (A) and the other is pointing down (D), and hold in place. Tighten strain relief screws just enough to hold the two clamp sections (C) together.

## 2. Attach power supply cord to strain relief



Put power supply cord through the strain relief. Be sure that the wire insulation on the power supply cord is inside the strain relief. The strain relief should have a tight fit with the dryer cabinet and be in a horizontal position. Do not further tighten strain relief screws at this point.

If your outlet looks like this:



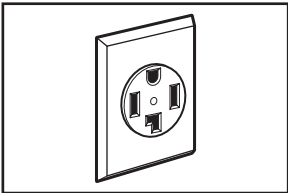
Power supply cord 4-wire receptacle (NEMA Type 14-30R):  
Go to "4-Wire Power Supply Cord Connection" on this page.



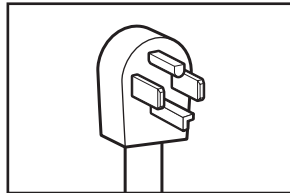
Power supply cord 3-wire receptacle (NEMA Type 10-30R):  
Go to "3-Wire Power Supply Cord Connection" on page 13.

## 4-Wire Power Supply Cord Connection

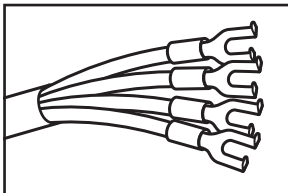
**IMPORTANT:** A 4-wire connection is required for mobile homes and where local codes do not permit the use of 3-wire connections.



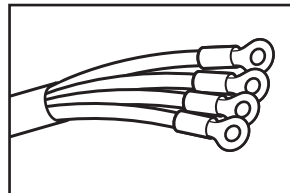
4-wire receptacle  
(NEMA type 14-30R)



4 prong plug

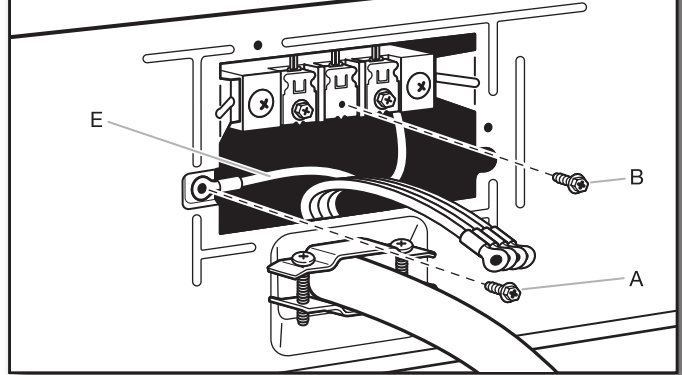


Spade terminals  
with upturned ends



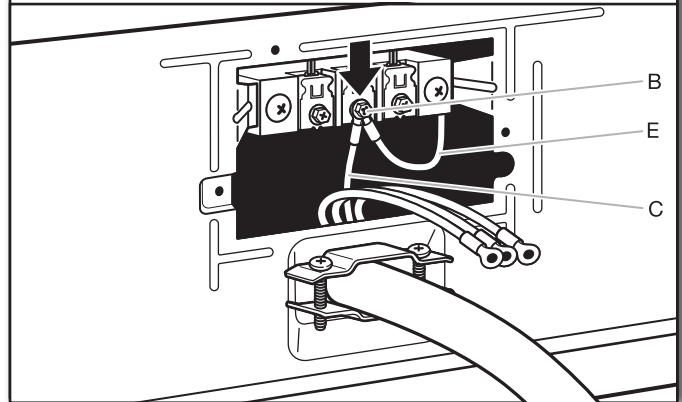
Ring terminals

## 1. Prepare to connect neutral ground wire and neutral wire



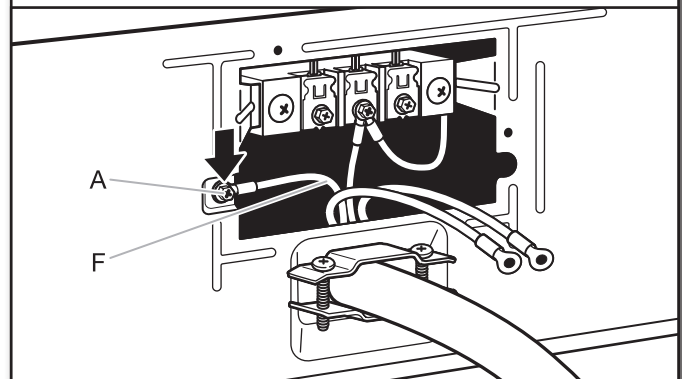
Remove center terminal block screw (B). Remove neutral ground wire (E) from green external ground conductor screw (A).

## 2. Connect neutral ground wire and neutral wire



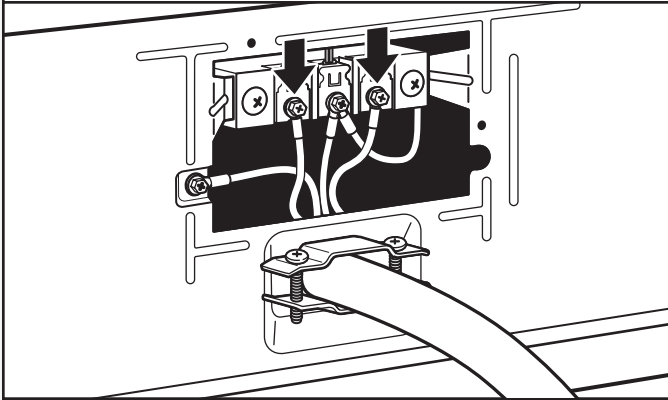
Connect neutral ground wire (E) and neutral wire (white or center) (C) of power supply cord under center terminal block screw (B). Tighten screw.

## 3. Connect ground wire



Connect ground wire (F) (green or bare) of power supply cord under green external ground conductor screw (A). Tighten screw.

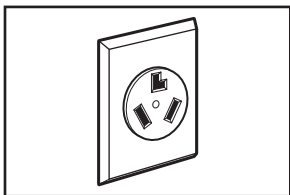
## 4. Connect remaining wires



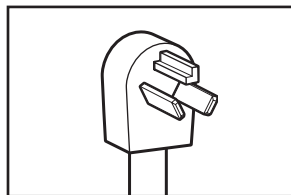
Connect remaining wires under outer terminal block screws. Tighten screws. Finally, reinsert tab of terminal block cover into slot of dryer rear panel. Secure cover with hold-down screw. Now go to "Venting Requirements."

## 3-Wire Power Supply Cord Connection

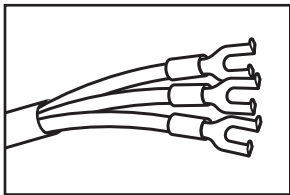
Use where local codes permit connecting cabinet-ground conductor to neutral wire.



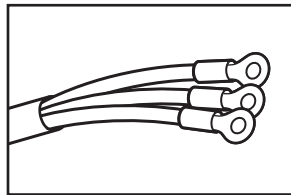
3-wire receptacle  
(NEMA type 10-30R)



3 prong plug

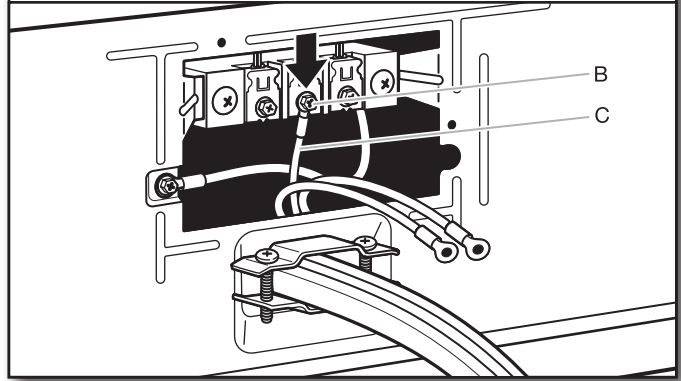


Spade terminals  
with upturned ends



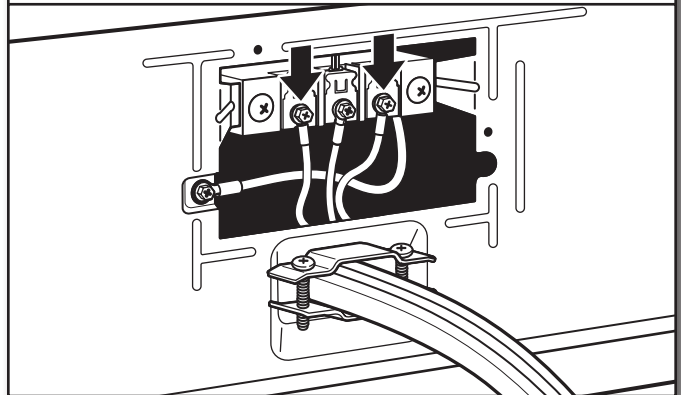
Ring terminals

## 2. Connect neutral wire



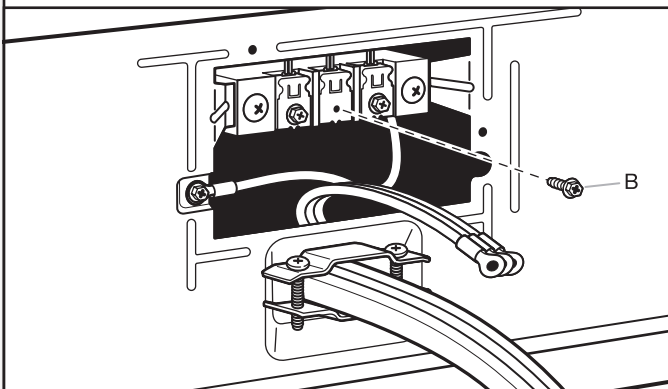
Connect neutral wire (white or center) (C) of power supply cord under center terminal block screw (B). Tighten screw.

## 3. Connect remaining wires



Connect remaining wires under outer terminal block screws. Tighten screws. Finally, reinsert tab of terminal block cover into slot of dryer rear panel. Secure cover with hold-down screw. Now go to "Venting Requirements."

## 1. Remove center screw



Remove center terminal block screw (B).

## Direct Wire Connection

For direct wire installations:

### **⚠ WARNING**



#### Fire Hazard

Use 10 gauge copper wire.

Use a UL listed strain relief.

Disconnect power before making electrical connections.

Connect neutral wire (white or center wire) to center terminal (silver).

Ground wire (green or bare wire) must be connected to green ground connector.

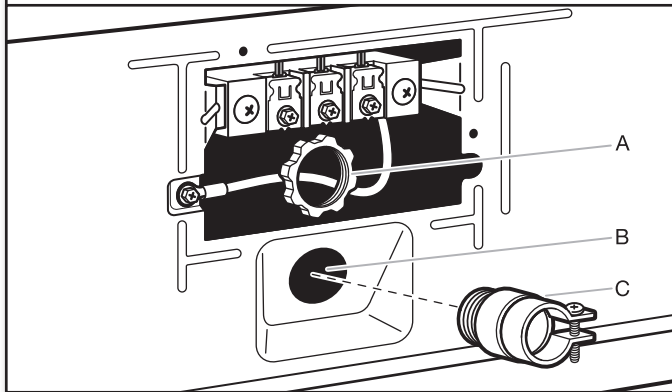
Connect remaining 2 supply wires to remaining 2 terminals (gold).

Securely tighten all electrical connections.

Failure to do so can result in death, fire, or electrical shock.

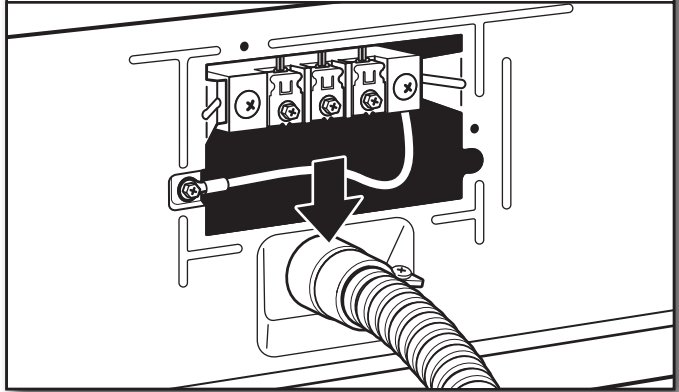
## Direct wire strain relief

### 1. Attach direct wire strain relief



Unscrew the removable conduit connector (A) and any screws from a 3/4" (19 mm) UL Listed strain relief. Put the threaded section of the strain relief (C) through the hole below the terminal block opening (B). Reaching inside the terminal block opening, screw the removable conduit connector (A) onto the strain relief threads and tighten securely.

### 2. Attach direct wire cable to strain relief



Put direct wire cable through the strain relief. The strain relief should have a tight fit with the dryer cabinet and be in a horizontal position. Tighten strain relief screw against the direct wire cable.

If your wiring looks like this:



4-wire direct connection:  
Go to "4-Wire Direct Wire Connection" on this page.

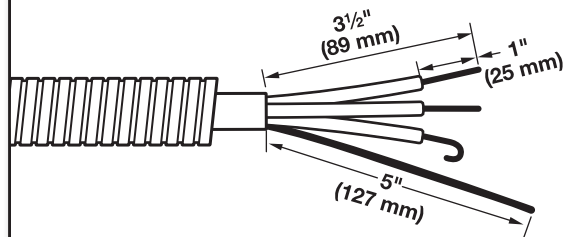


3-wire direct connection:  
Go to "3-Wire Direct Wire Connection" on page 15.

## 4-Wire Direct Wire Connection

**IMPORTANT:** A 4-wire connection is required for mobile homes and where local codes do not permit 3-wire connections.

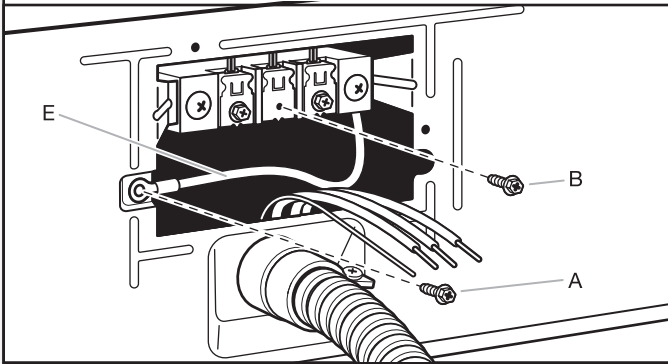
### 1. Prepare your 4-wire cable for direct connection



Direct wire cable must have 5 ft. (1.52 m) of extra length so dryer may be moved if needed.

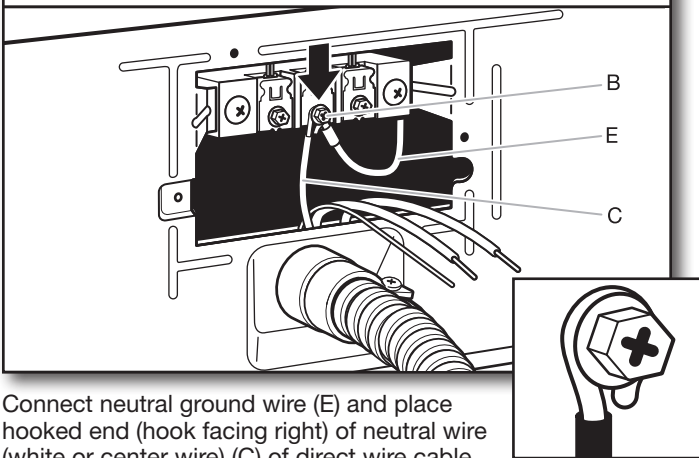
Strip 5" (127 mm) of outer covering from end of cable, leaving bare ground wire at 5" (127 mm). Cut 1 1/2" (38 mm) from remaining three wires. Strip insulation back 1" (25 mm). Shape ends of wires into hooks.

## 2. Prepare to connect neutral ground wire and neutral wire



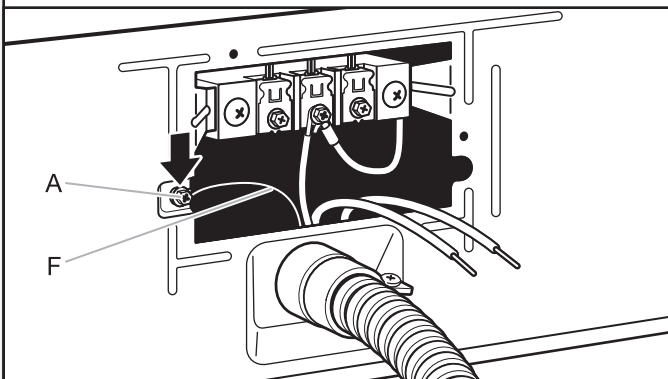
Remove center terminal block screw (B). Remove neutral ground wire (E) from green external ground conductor screw (A).

## 3. Connect neutral ground wire and neutral wire



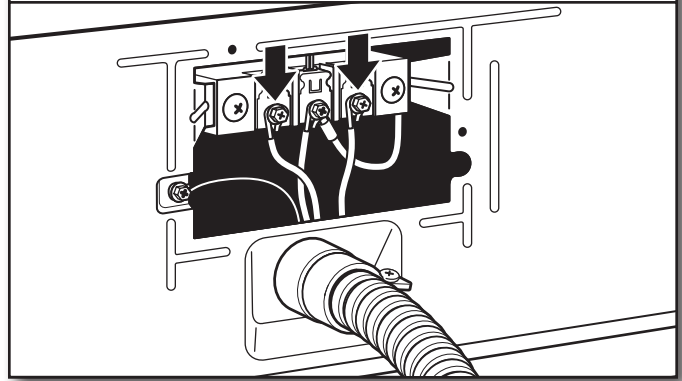
Connect neutral ground wire (E) and place hooked end (hook facing right) of neutral wire (white or center wire) (C) of direct wire cable under center screw of terminal block (B). Squeeze hooked ends together and tighten screw.

## 4. Connect ground wire



Connect ground wire (green or bare) (F) of direct wire cable under green external ground conductor screw (A). Tighten screw.

## 5. Connect remaining wires

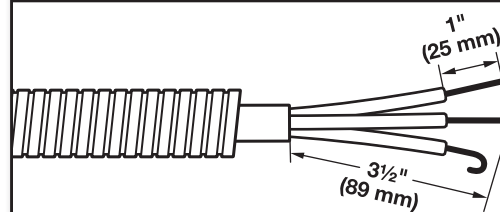


Place hooked ends of remaining direct wire cable wires under outer terminal block screws (hooks facing right). Squeeze hooked ends together and tighten screws. Finally, reinsert tab of terminal block cover into slot of dryer rear panel. Secure cover with hold-down screw. Now go to "Venting Requirements."

## 3-Wire Direct Wire Connection

Use where local codes permit connecting cabinet-ground conductor to neutral wire.

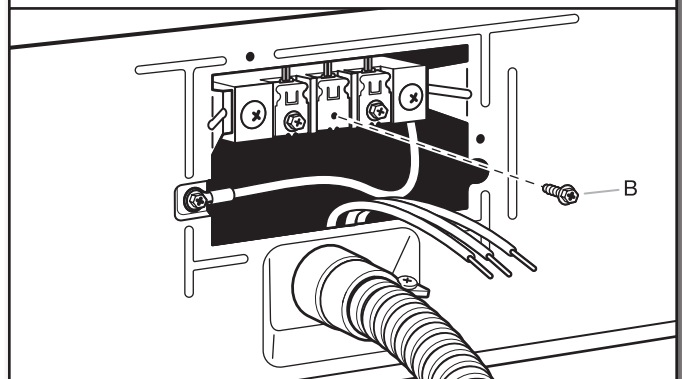
## 1. Prepare your 3-wire cable for direct connection



Direct wire cable must have 5 ft. (1.52 m) of extra length so dryer may be moved if needed.

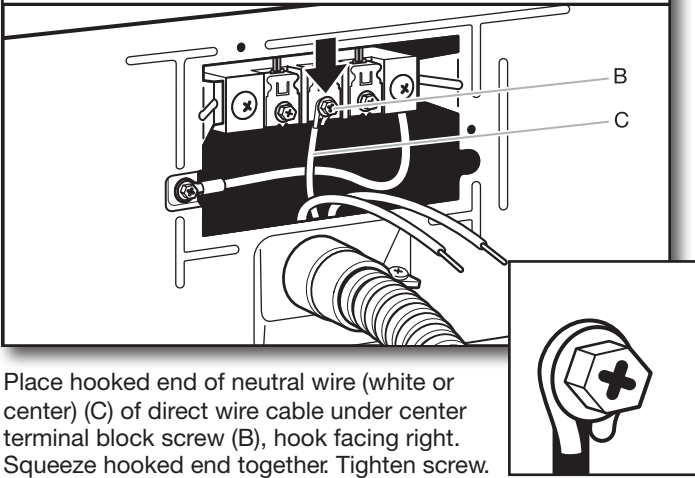
Strip 3 1/2" (89 mm) of outer covering from end of cable. Strip insulation back 1" (25 mm). If using 3-wire cable with ground wire, cut bare wire even with outer covering. Shape wire ends into hooks.

## 2. Remove center screw



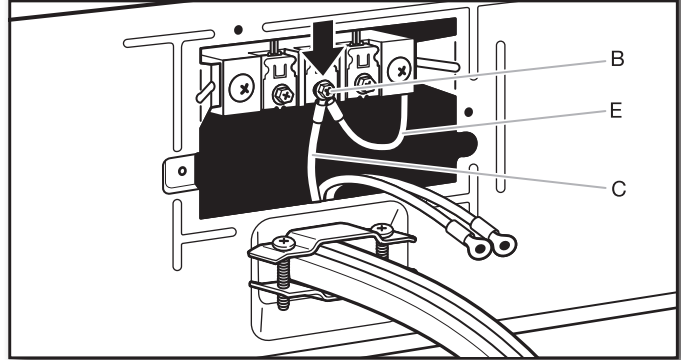
Remove center terminal block screw (B).

### 3. Connect neutral wire



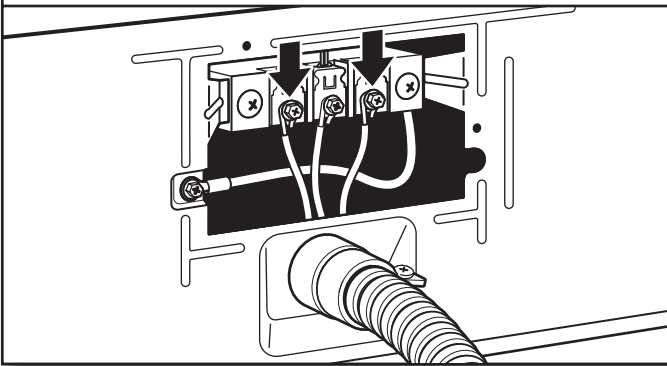
Place hooked end of neutral wire (white or center) (C) of direct wire cable under center terminal block screw (B), hook facing right. Squeeze hooked end together. Tighten screw.

### 2. Connect neutral ground wire and neutral wire



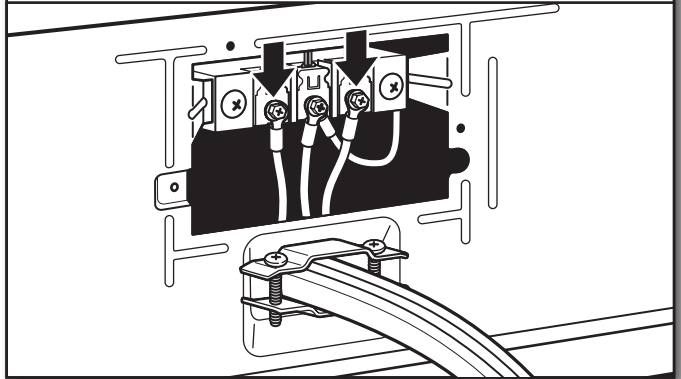
Connect neutral ground wire (E) and neutral wire (white or center wire) (C) of power supply cord or cable under center terminal block screw (B). Tighten screw.

### 4. Connect remaining wires



Place hooked ends of remaining direct wire cable wires under outer terminal block screws (hooks facing right). Squeeze hooked ends together and tighten screws. Finally, reinsert tab of terminal block cover into slot of dryer rear panel. Secure cover with hold-down screw. Now go to "Venting Requirements."

### 3. Connect remaining wires

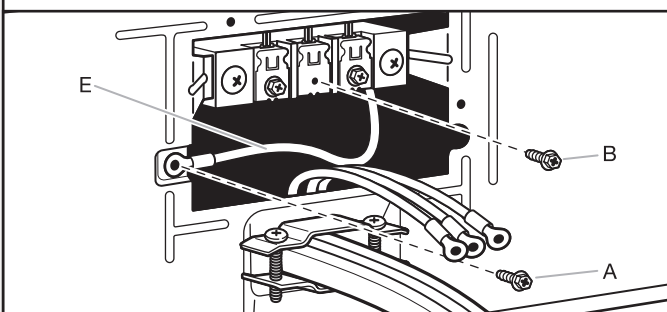


Place ends of remaining wires under outer terminal block screws. Tighten screws.

### Optional External Ground for 3-Wire Connection (Power Supply Cord Shown)

**IMPORTANT:** You must verify with a qualified electrician that this grounding method is acceptable before connecting.

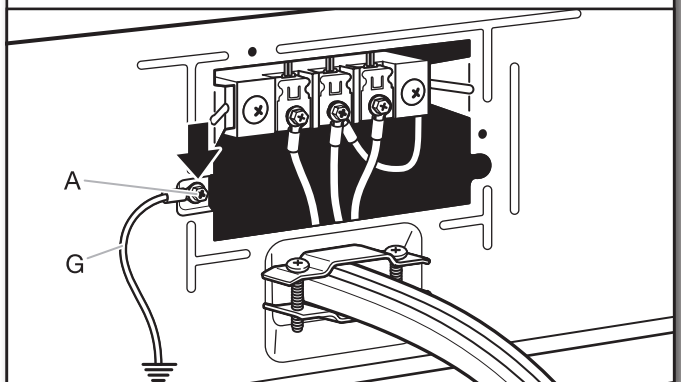
#### 1. Prepare to connect neutral ground wire and neutral wire



Install the correct strain relief for your electrical connection method, as shown on page 12 or 14.

Remove center terminal block screw (B). Remove neutral ground wire (E) from green external ground conductor screw (A).

#### 4. Connect external ground wire



Connect a separate copper ground wire (G) under the green external ground conductor screw (A) to an adequate ground. Finally, reinsert tab of terminal block cover into slot of dryer rear panel. Secure cover with hold-down screw. Now go to "Venting Requirements."



# MAKE GAS CONNECTION

(Gas models only)

## ⚠ WARNING



### Explosion Hazard

Use a new CSA International approved gas supply line.

Install a shut-off valve.

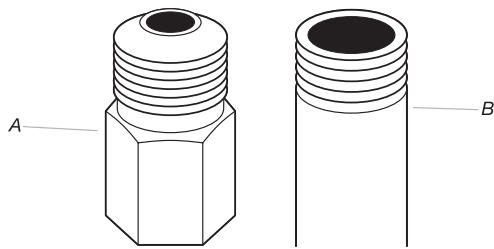
Securely tighten all gas connections.

If connected to propane, have a qualified person make sure gas pressure does not exceed 13" (33 cm) water column.

Examples of a qualified person include:  
 licensed heating personnel,  
 authorized gas company personnel, and  
 authorized service personnel.

Failure to do so can result in death, explosion, or fire.

## 1. Connect gas supply to dryer

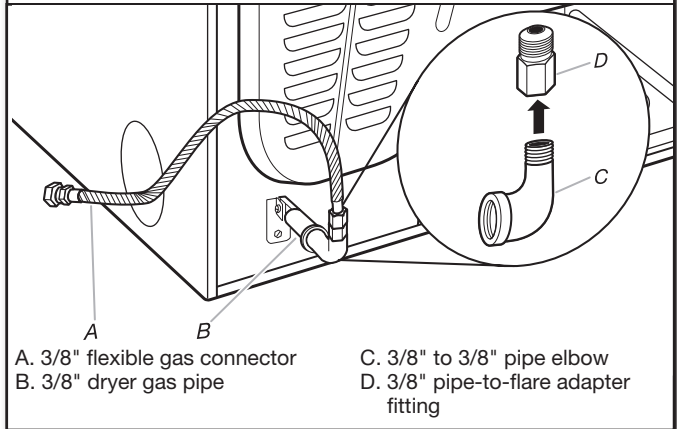


A. Flared male fitting  
 B. Non-flared male fitting

Remove red cap from gas pipe. Using a wrench to tighten, connect gas supply to dryer. Use pipe-joint compound on threads of all non-flared male fittings. If flexible metal tubing is used, be sure there are no kinks.

**NOTE:** For propane gas connections, you must use pipe-joint compound resistant to action of propane gas. Do not use TEFLON® tape.

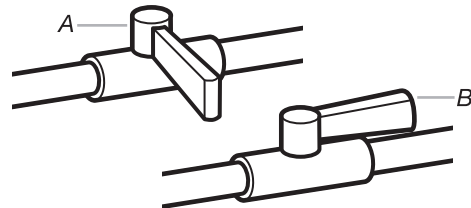
## 2. Plan pipe fitting connection (Option 1)



A. 3/8" flexible gas connector  
 B. 3/8" dryer gas pipe  
 C. 3/8" to 3/8" pipe elbow  
 D. 3/8" pipe-to-flare adapter fitting

A combination of pipe fittings must be used to connect dryer to existing gas line. A recommended connection is shown. Your connection may be different, according to supply line type, size, and location.

## 3. Open shut-off valve



A. Closed valve  
 B. Open valve

Open shut-off valve in supply line; valve is open when handle is parallel to gas pipe. Then, test all connections by brushing on an approved noncorrosive leak-detection solution. Bubbles will show a leak. Correct any leak found.

# VENTING

## Venting Requirements

### ⚠ WARNING



#### Fire Hazard

Use a heavy metal vent.

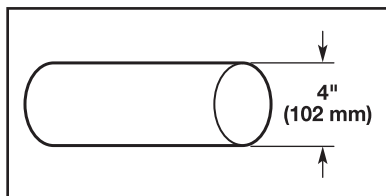
Do not use a plastic vent.

Do not use a metal foil vent.

Failure to follow these instructions can result in death or fire.

**WARNING:** To reduce the risk of fire, this dryer MUST BE EXHAUSTED OUTDOORS.

**IMPORTANT:** Observe all governing codes and ordinances. Dryer exhaust must not be connected into any gas vent, chimney, wall, ceiling, attic, crawlspace, or a concealed space of a building. Only rigid or flexible metal vent shall be used for exhausting.



4" (102 mm) heavy metal exhaust vent

- Only a 4" (102 mm) heavy metal exhaust vent and clamps may be used.
- Do not use plastic or metal foil vent.

### Rigid metal vent:

- Recommended for best drying performance and to avoid crushing and kinking.

### Flexible metal vent: (Acceptable only if accessible to clean)

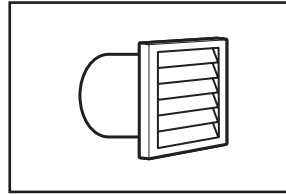
- Must be fully extended and supported in final dryer location.
- Remove excess to avoid sagging and kinking that may result in reduced airflow and poor performance.
- Do not install in enclosed walls, ceilings, or floors.
- The total length should not exceed 7¾ ft. (2.4 m).
- The length of flexible metal vent used must be included in the overall vent system design as shown in the "Vent System Charts."

**NOTE:** If using an existing vent system, clean lint from entire length of the system and make sure exhaust hood is not plugged with lint. Replace plastic or metal foil vents with rigid metal or flexible metal vents. Review "Vent System Charts" and, if necessary, modify existing vent system to achieve best drying performance.

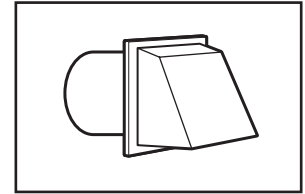
### Exhaust hoods:

- An exhaust hood should cap the vent to keep rodents and insects from entering the home.
- Must be at least 12" (305 mm) from ground or any object that may obstruct exhaust (such as flowers, rocks, bushes, or snow).
- Do not use an exhaust hood with a magnetic latch.

### Recommended Styles:

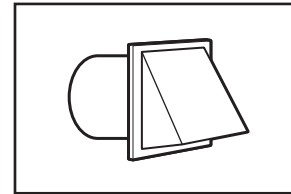


Louvered Hood



Box Hood

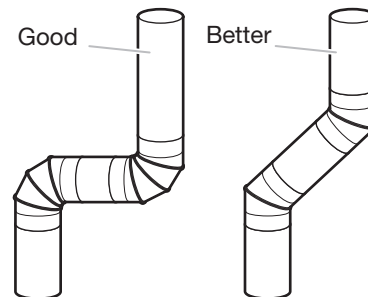
### Acceptable Style:



Angled Hood

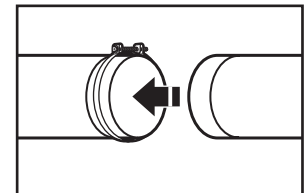
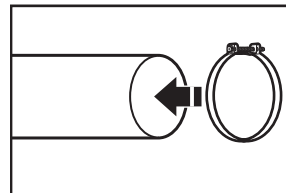
### Elbows:

45° elbows provide better airflow than 90° elbows.



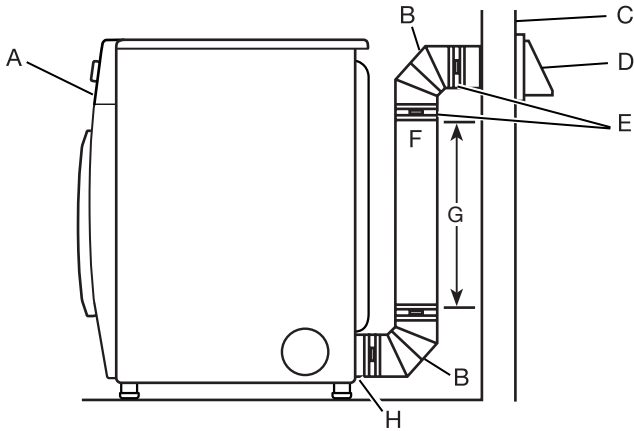
### Clamps:

- Use clamps to seal all joints.
- Exhaust vent must not be connected or secured with screws or other fastening devices that extend into interior of duct and catch lint. Do not use duct tape.



# Plan Vent System

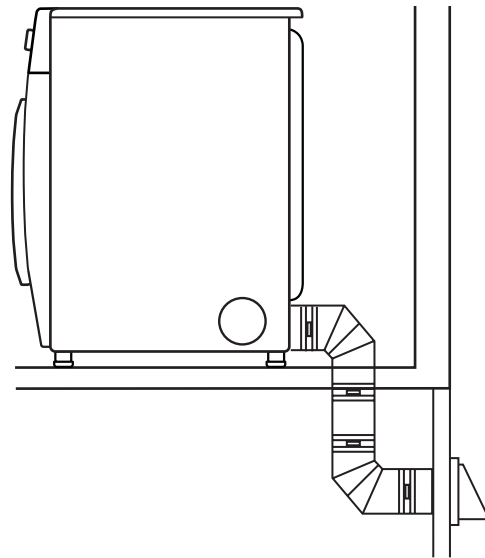
## Recommended exhaust installation:



- A. Dryer
- B. Elbow
- C. Wall
- D. Exhaust hood
- E. Clamps
- F. Rigid metal or flexible metal vent
- G. Vent length necessary to connect elbows
- H. Exhaust outlet

## Special provisions for mobile homes:

Exhaust vent must be securely fastened to a noncombustible portion of mobile home and must not terminate beneath the mobile home. Terminate exhaust vent outside.



## Determine vent path:


- Select route that will provide straightest and most direct path outdoors.
- Plan installation to use fewest number of elbows and turns.
- When using elbows or making turns, allow as much room as possible.
- Bend vent gradually to avoid kinking.
- Use as few 90° turns as possible.

## Determine vent length and elbows needed for best drying performance:

- Use the following "Vent System Charts" to determine type of vent material and hood combinations acceptable to use.
- NOTE:** Do not use vent runs longer than those specified in "Vent System Charts."
- Exhaust systems longer than those specified will:
  - Shorten life of dryer.
  - Reduce performance, resulting in longer drying times and increased energy usage.

The "Vent System Charts" provide venting requirements that will help achieve best drying performance.

⚠ WARNING



**Fire Hazard**

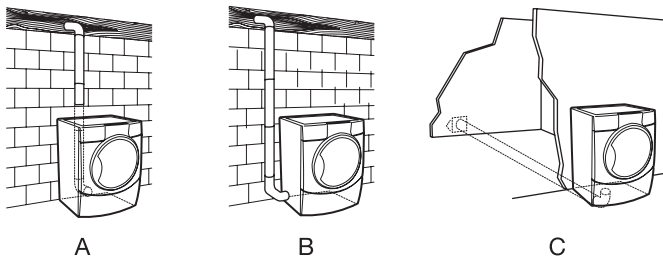
**Cover unused exhaust holes with a manufacturer's exhaust cover kit.**

**Contact your local dealer.**

**Failure to follow these instructions can result in death, fire, electrical shock, or serious injury.**

## Optional exhaust installations:

This dryer can be converted to exhaust out the right side, left side (all models except long vent), or through the bottom. If you prefer, you may contact your local dealer to have the dryer converted.



- A. Standard rear offset exhaust installation
- B. Left- or right-side exhaust installation
- C. Bottom exhaust installation

## Standard Vent System Chart

| Number of 90° elbows | Type of vent | Angled hoods    |
|----------------------|--------------|-----------------|
| 0                    | Rigid metal  | 64 ft. (20 m)   |
| 1                    | Rigid metal  | 54 ft. (16.5 m) |
| 2                    | Rigid metal  | 44 ft. (13.4 m) |
| 3                    | Rigid metal  | 35 ft. (10.7 m) |
| 4                    | Rigid metal  | 27 ft. (8.2 m)  |

## Long Vent System Chart

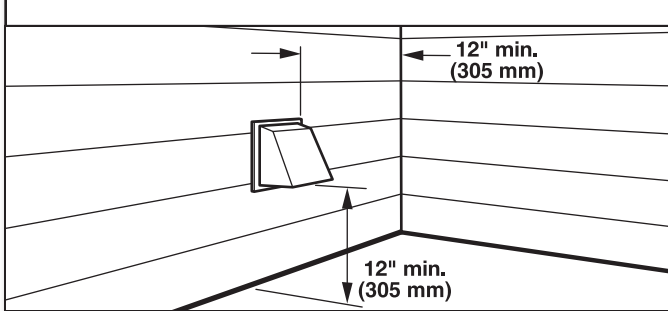
| Number of 90° elbows | Type of vent | Angled hoods     |
|----------------------|--------------|------------------|
| 0                    | Rigid metal  | 160 ft. (48.8 m) |
| 1                    | Rigid metal  | 150 ft. (45.7 m) |
| 2                    | Rigid metal  | 140 ft. (42.7 m) |
| 3                    | Rigid metal  | 130 ft. (39.6 m) |
| 4                    | Rigid metal  | 120 ft. (36.6 m) |

To determine if your model has a long vent system, refer to the type code located on the serial number plate in the inner door well. Example: An electric model would be **DJAV** – ELE – XXXXXXXX-XXX. A gas model would be **DJAV** – NAT – XXXXXXXX-XXX.

**NOTE:** For long vent systems, use of box/louvered hoods will improve venting regardless of length.

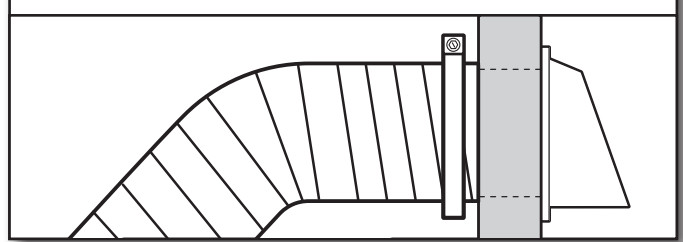
## Install Vent System

### 1. Install exhaust hood



Install exhaust hood and use caulking compound to seal exterior wall opening around exhaust hood.

### 2. Connect vent to exhaust hood



Vent must fit over the exhaust hood. Secure vent to exhaust hood with 4" (102 mm) clamp. Run vent to dryer location using straightest path possible. Avoid 90° turns. Use clamps to seal all joints. Do not use duct tape, screws, or other fastening devices that extend into interior of vent to secure vent, because they can catch lint.

## CONNECT INLET HOSE (STEAM MODEL ONLY)

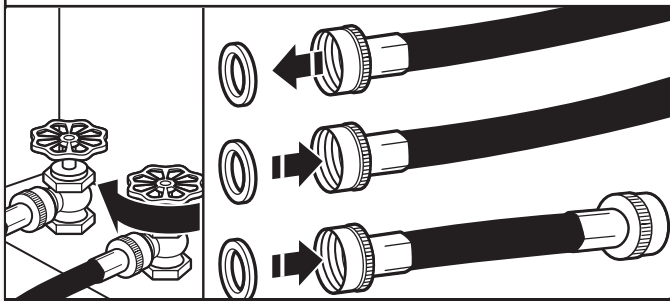
For non-steam models, skip to “Connect Vent.”

The dryer must be connected to the cold water faucet using the new inlet hoses (not supplied). Do not use old hoses.

**NOTE:** Replace inlet hoses after 5 years of use to reduce the risk of hose failure. Record hose installation or replacement dates on the hoses for future reference.

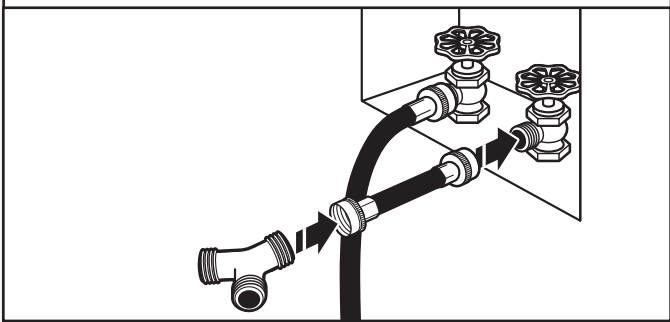
Periodically inspect and replace hoses if bulges, kinks, cuts, wear, or leaks are found.

### 1. Turn cold water off, remove hose, and replace rubber washer



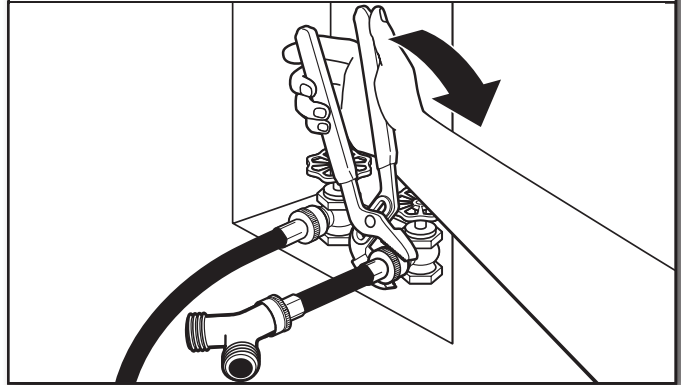
Turn cold water faucet off and remove washer inlet hose. Remove old rubber washer from inlet hose and replace with new rubber washer.

### 2. Attach short hose and “Y” connector



Attach 2 ft. (0.6 m) inlet hose to cold water faucet. Screw on coupling by hand until it is seated on faucet. Then attach “Y” connector to male end of the 2 ft. (0.6 m) inlet hose. Screw on coupling by hand until it is seated on connector.

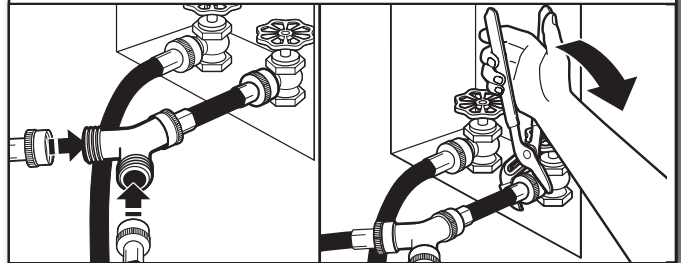
### 3. Tighten couplings



Using pliers, tighten the couplings with additional 2/3 turn.

**NOTE:** Do not overtighten. Damage to the coupling can result.

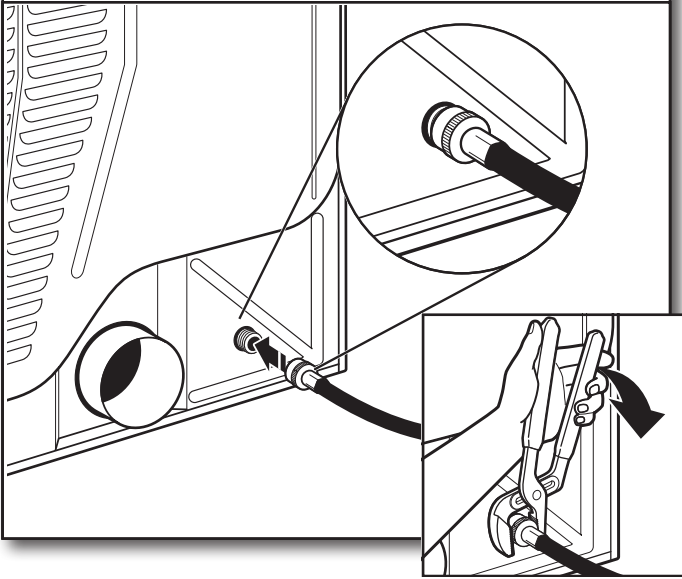
### 4. Attach long hose to “Y” connector and tighten couplings



Attach one of the 5 ft. (1.5 m) inlet hose ends to the “Y” connector. Attach washer cold inlet hose to other side of “Y” connector. Screw on coupling by hand until it is seated on connector. Using pliers, tighten the couplings an additional 2/3 turn.

**NOTE:** Do not overtighten. Damage to the coupling can result.

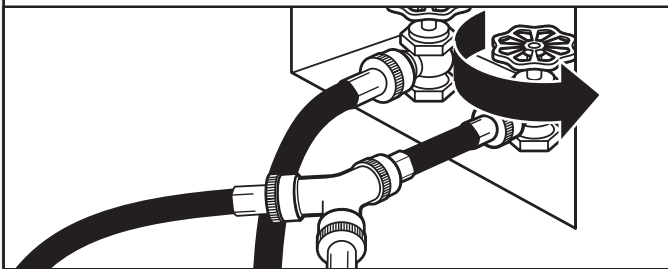
## 5. Attach long hose to dryer fill valve and tighten coupling



Remove protective cap from water inlet valve. Attach other end of long hose to fill valve at bottom of dryer back panel. Screw on coupling by hand until it is seated on fill valve connector. Using pliers, tighten the couplings an additional 2/3 turn.

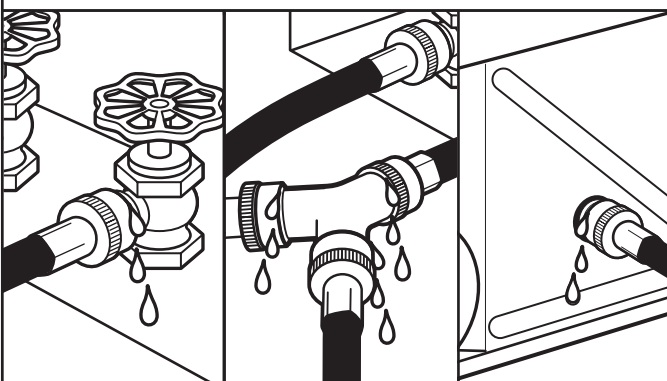
**NOTE:** Do not overtighten. Damage to the coupling can result.

## 6. Turn on cold water faucet



Check that the water faucets are turned on.

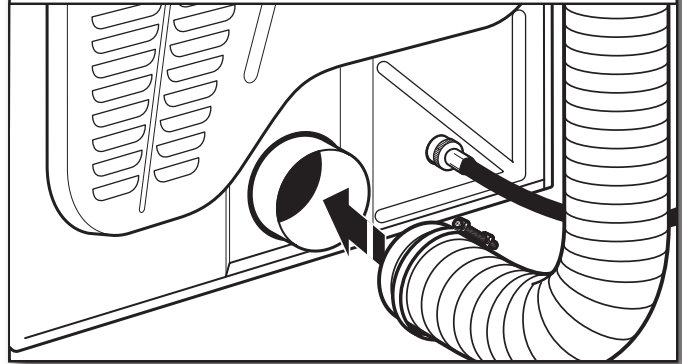
## 7. Check for leaks



Check for leaks around "Y" connector, faucet, and hoses.

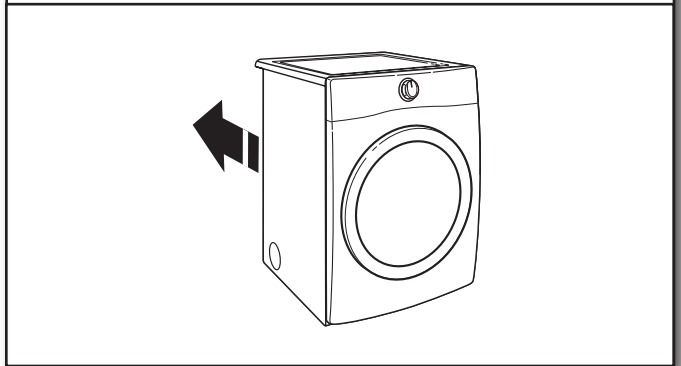
## CONNECT VENT

### 1. Connect vent to exhaust outlet



Using a 4" (102 mm) clamp, connect vent to exhaust outlet in dryer. If connecting to existing vent, make sure vent is clean. Dryer vent must fit over dryer exhaust outlet and inside exhaust hood. Check that vent is secured to exhaust hood with a 4" (102 mm) clamp.

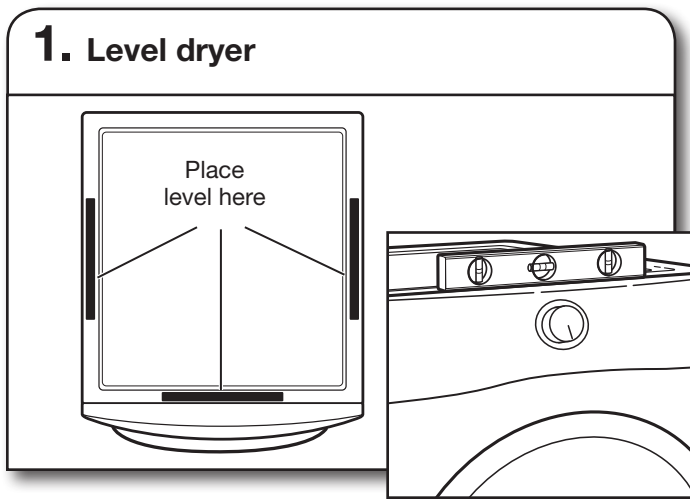
### 2. Move dryer to final location



Move dryer to final location, taking care not to crush or kink vent or flexible gas line.

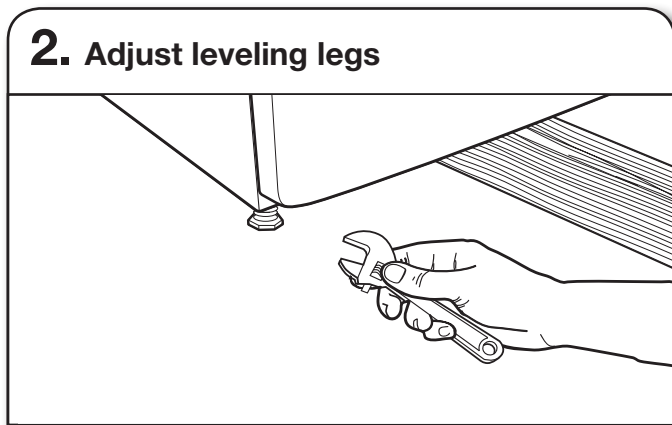
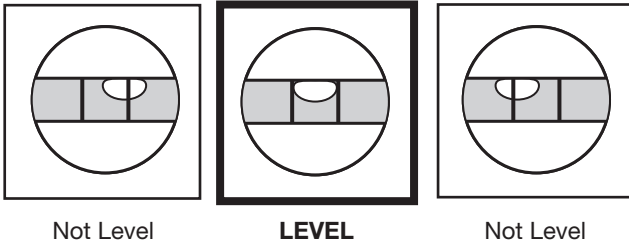
After dryer is in place, remove corner posts and cardboard from under dryer.

## LEVEL DRYER



Check levelness of dryer from side to side. Repeat from front to back.

**NOTE:** The dryer must be level for the moisture sensing system to operate correctly.



If dryer is not level, prop up using a wood block, use wrench to adjust legs up or down, and check again for levelness. Once dryer is level, make sure all four legs are snug against the floor and the dryer does not rock.

## COMPLETE INSTALLATION CHECKLIST

- Check that all parts are now installed. If there is an extra part, go back through steps to see what was skipped.
- Check that you have all of your tools.
- Dispose of/recycle all packaging materials.
- Be sure the water faucets are on.
- Check for leaks around “Y” connector, faucet, and hoses.
- Check dryer’s final location. Be sure vent is not crushed or kinked.
- Check that dryer is level. See “Level Dryer.”
- Remove film on console and any tape remaining on dryer.
- Wipe dryer drum interior thoroughly with a damp cloth to remove any dust.
- Read “Dryer Use” in your Use and Care Guide.
- If you live in a hard water area, use of a water softener is recommended to control the buildup of scale through the water system in the dryer. Over time, the buildup of lime scale may clog different parts of the water system, which will reduce product performance. Excessive scale buildup may lead to the need for certain part replacement or repair.

### Electric Models:

- Plug into a grounded outlet.

### Gas Models:

- Plug into a grounded outlet.
- Check that gas supply is on.
- Check for leaks.
- Check to be sure that the flexible gas line is not crushed or kinked.

### All Models:

- Select a Timed Dry heated cycle and start dryer. Do not select Air Only Temperature setting.

#### If dryer will not start, check the following:

- Controls are set in a running or On position.
- Start button has been pressed firmly.
- Dryer is plugged into an outlet and/or electrical supply is connected.
- Household fuse is intact and tight, or circuit breaker has not tripped.
- Dryer door is closed.

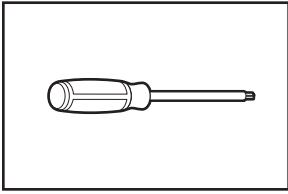
This dryer automatically runs an installation diagnostic routine at the start of its first cycle.

**NOTE:** You may notice an odor when dryer is first heated. This odor is common when heating element is first used. The odor will go away.

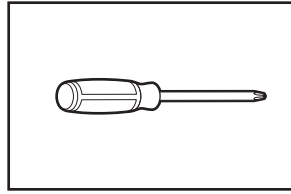
## DOOR REVERSAL (OPTIONAL)

The following instructions are for models with round and square-shaped doors.

### Tools needed:



Min. 8" (203 mm) long  
TORX®, T20®, and  
T25®† screwdrivers



#2 Phillips screwdriver

## REVERSE DOOR SWING: ROUND-SHAPED DOOR

### DOORS WITH ELECTRICAL WIRING:

## ⚠ WARNING



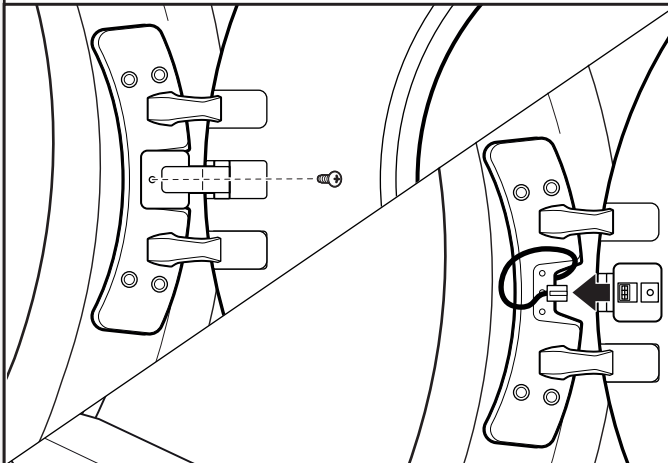
### Electrical Shock Hazard

Disconnect power before servicing.

Replace all parts and panels before operating.

Failure to do so can result in death or electrical shock.

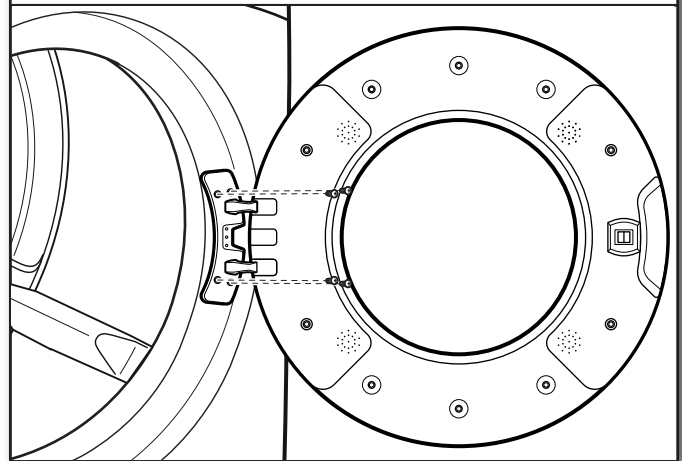
## 1. Disconnect wiring from door



Using a Phillips screwdriver, remove middle screw in hinge. Disconnect wiring. Tuck wiring into opening.

### ALL DOORS:

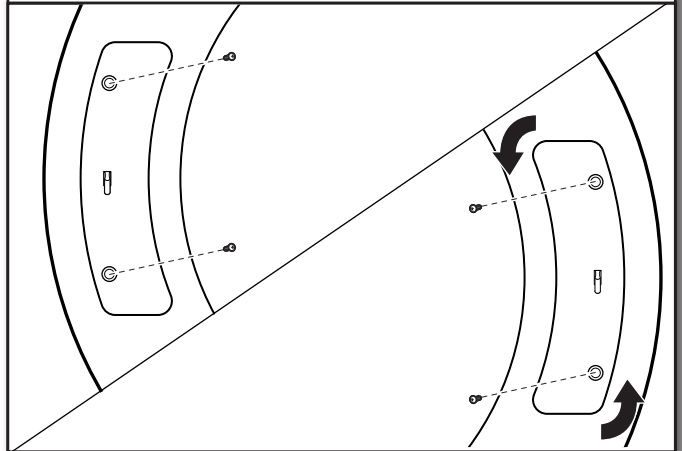
## 2. Remove door from dryer



**IMPORTANT:** If the protective film has not yet been removed from the dryer, peel the film from the dryer door before proceeding.

Using a T25® screwdriver, remove the four screws securing the door hinge to the dryer and lift the door up and out to remove. Place the door on a soft towel or other non-scratch surface.

## 3. Move the door strike

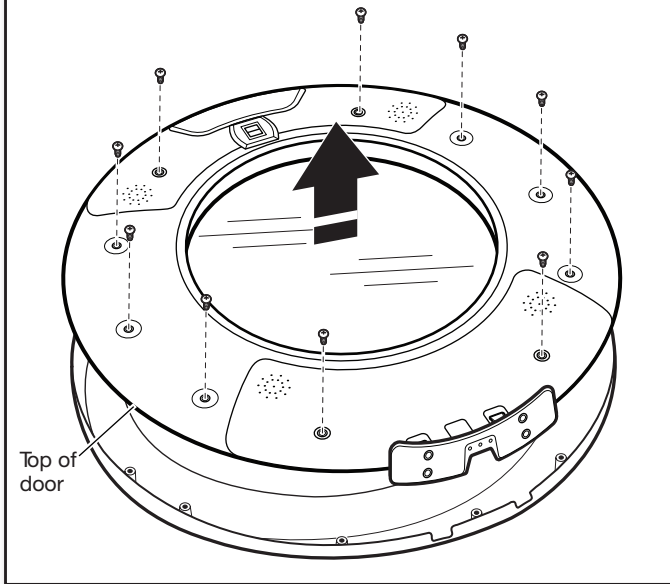


Using a T25® screwdriver, remove the two screws securing the door strike to the door frame of the dryer. Rotate the strike 180° and attach to the opposite side of dryer door frame with the two screws removed earlier, as shown.

†TORX, T20, and T25 are registered trademarks of Acument Intellectual Properties, LLC.

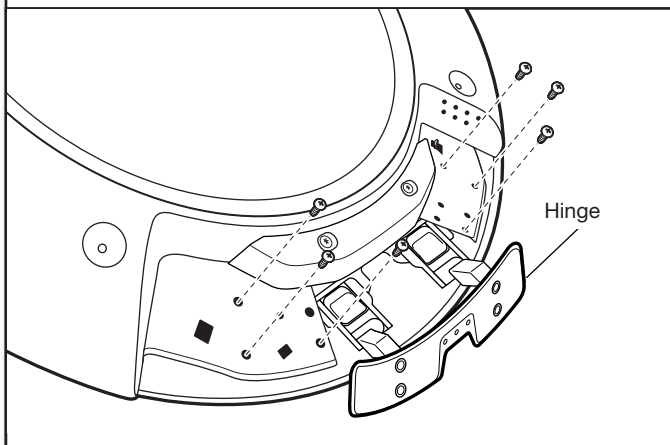


#### 4. Remove inner door from outer door



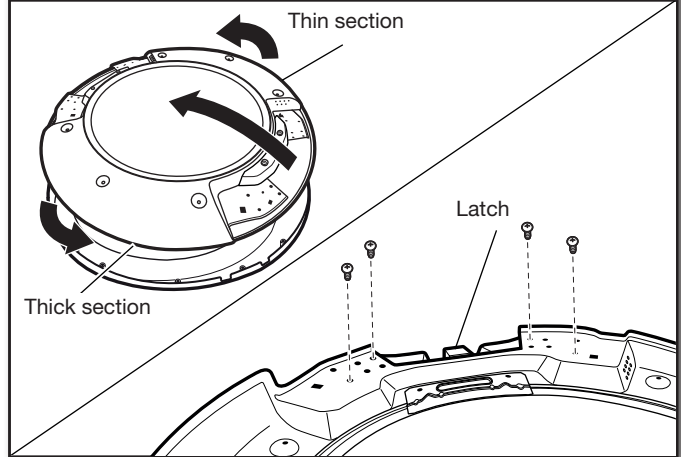
Position the door with the inside of the door facing up. Using a Phillips screwdriver, remove the 10 screws securing the inner door to the outer door.

#### 5. Remove hinge



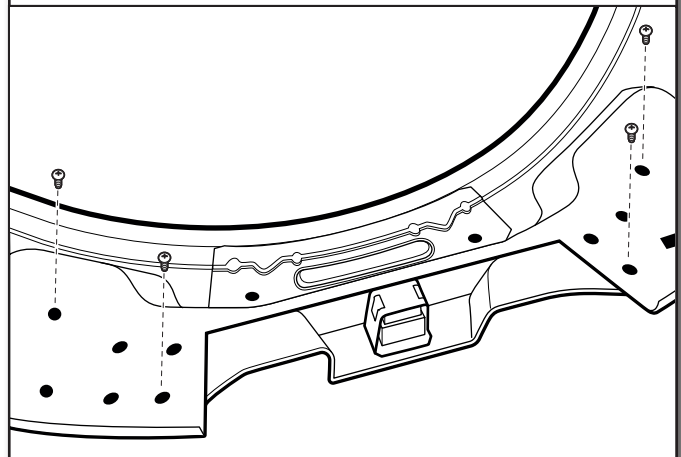
Using a T20® screwdriver, remove the six screws holding the hinge assembly in place.

#### 6. Remove latch



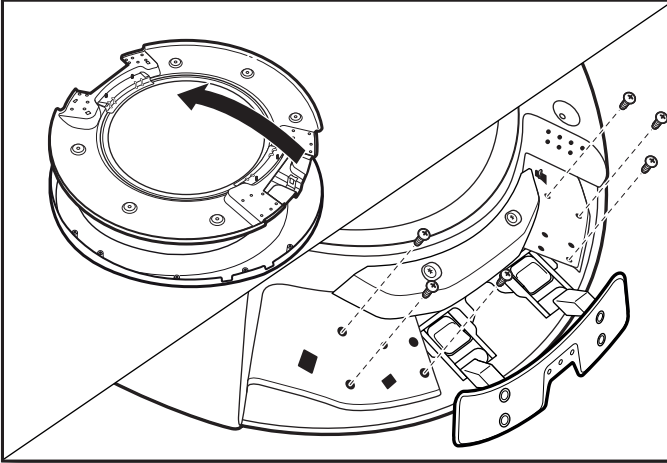
Flip and rotate the inner door 180° so that the thin section is at the top and the thick section is at the bottom. Using a T25® screwdriver, remove the four screws securing the latch plate in place.

#### 7. Reinstall latch on opposite side



Using a T25® screwdriver, reinstall the latch plate on the opposite side from which it was removed with the four screws removed earlier.

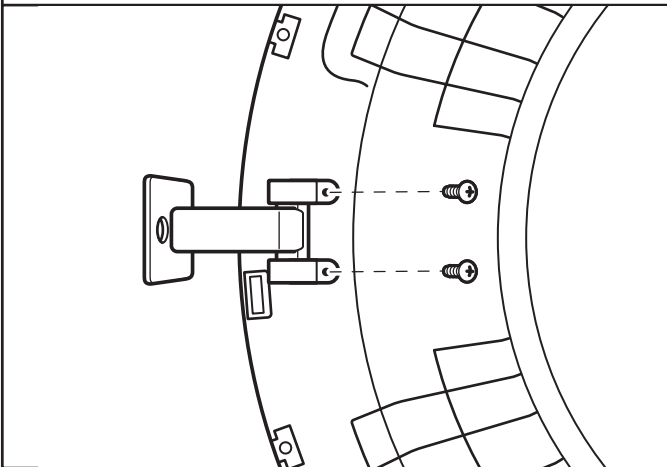
## 8. Reinstall hinge assembly on opposite side



Flip over the inner door to the left. Using a T20® screwdriver, reinstall the hinge assembly on the opposite side from which it was removed.

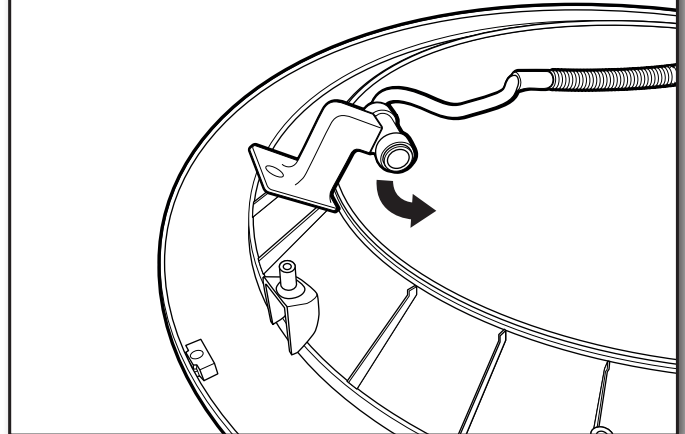
### DOORS WITH ELECTRICAL WIRING:

## 9. Remove rotating assembly



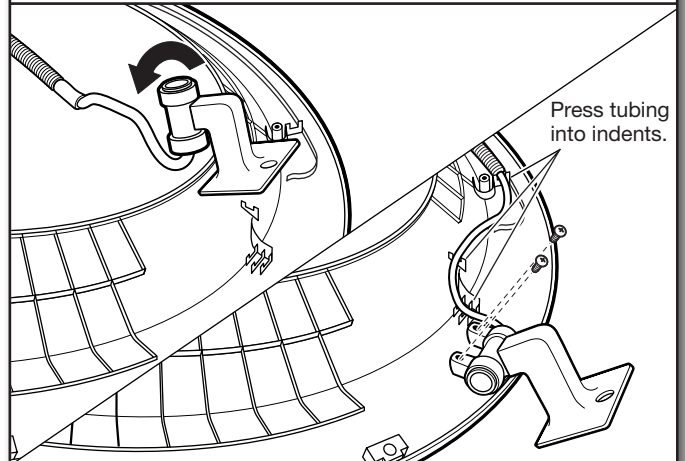
Lift off inner door assembly. Using a Phillips screwdriver, remove the two screws securing the rotating assembly to the door.

## 10. Reposition rotating assembly and tubing



Reposition rotating assembly and tubing 180° to opposite side of the door.

## 11. Rotate assembly bottom and fasten in place

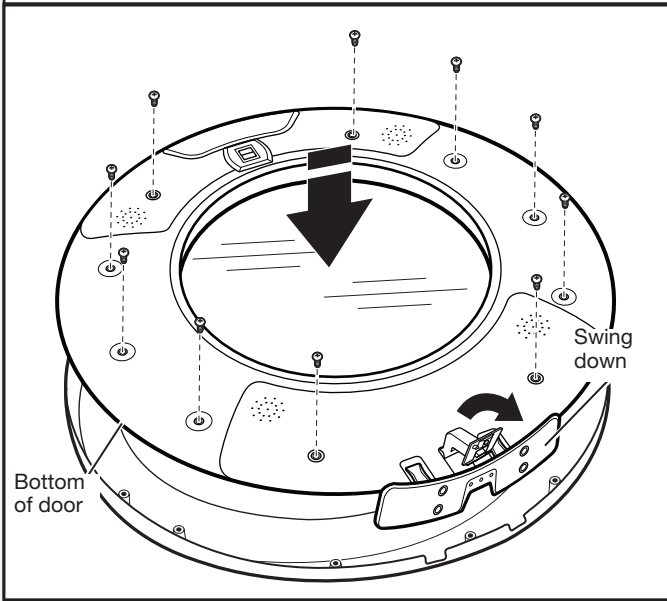


Rotate bottom of assembly 180° towards you and secure assembly with the two screws removed earlier, using a Phillips screwdriver. Press tubing into indents.

**IMPORTANT:** Make sure to swing hinge down in front of rotating assembly (see Step 12).

**ALL DOORS:**

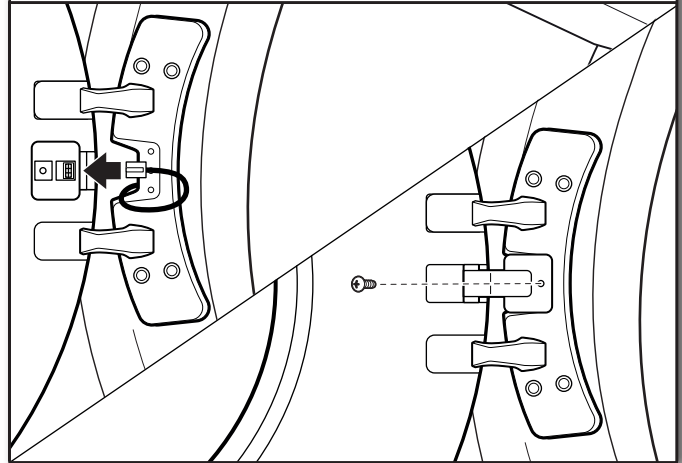
**12. Reinstall inner door assembly**



Position the door with the inside of the door facing up. Using a Phillips screwdriver, reinstall the 10 screws removed earlier, securing the inner door to the outer door.

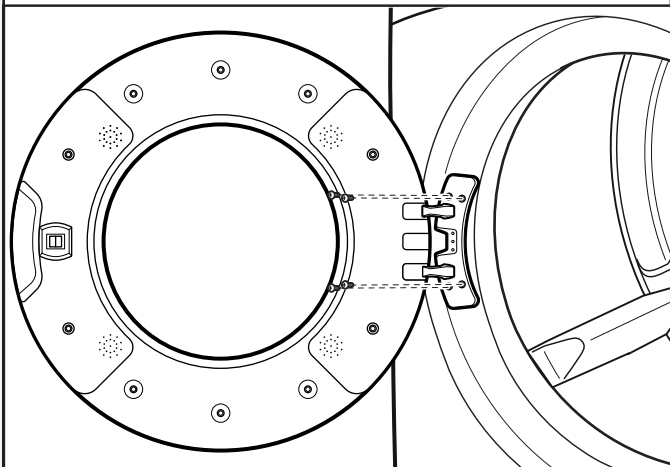
**DOORS WITH ELECTRICAL WIRING:**

**14. Reconnect wiring**



Plug in wire. Using a Phillips screwdriver, secure the rotating assembly to the hinge with the screw removed earlier.

**13. Reinstall door on dryer**

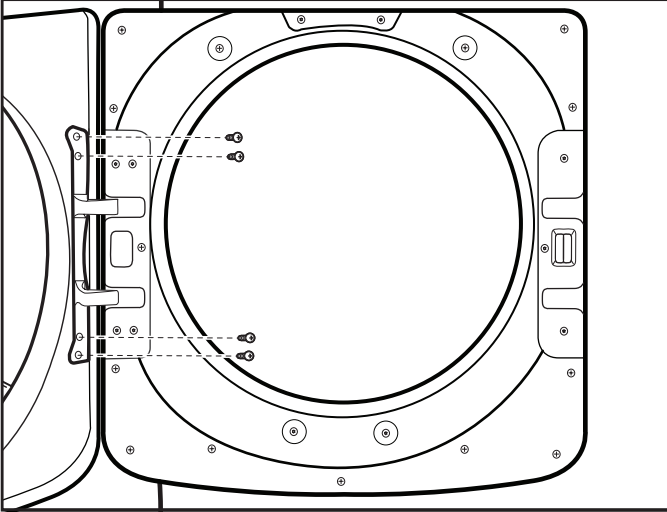


**Doors with electrical wiring:** Pull the wire through the front panel opening before reinstalling the door.

Insert the tabs on the hinge into the mounting slot and slide down to engage the top tab. Secure in place with the four T25® screws removed earlier.

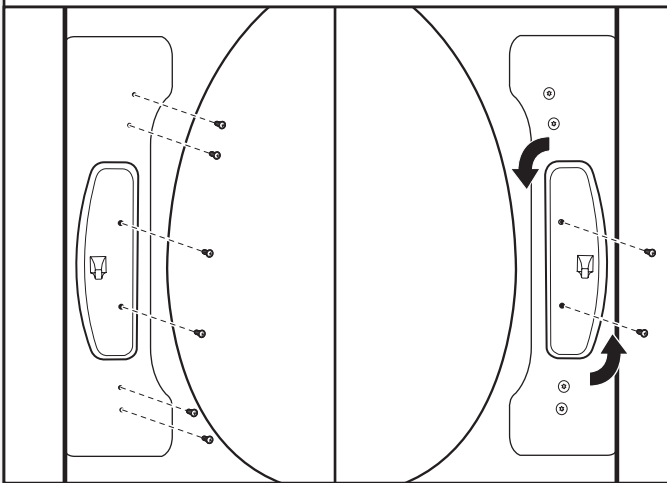
## REVERSE DOOR SWING: SQUARE-SHAPED DOOR

### 1. Remove door from dryer



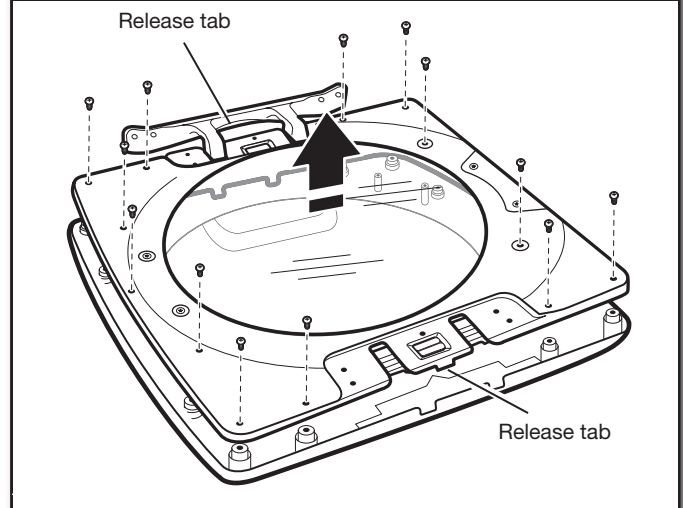
Using a T25® screwdriver, remove the four screws securing the door hinge to the dryer and lift up and out to remove the door. Place the door on a soft towel or other non-scratch surface. Retain or set aside the four screws.

### 2. Move the door strike



Using a T25® screwdriver, remove the two screws securing the door strike to the door frame of the dryer. Remove the four screws above and below the door strike and set aside for later use. Rotate the strike 180° and attach to the opposite side of dryer door frame, as shown.

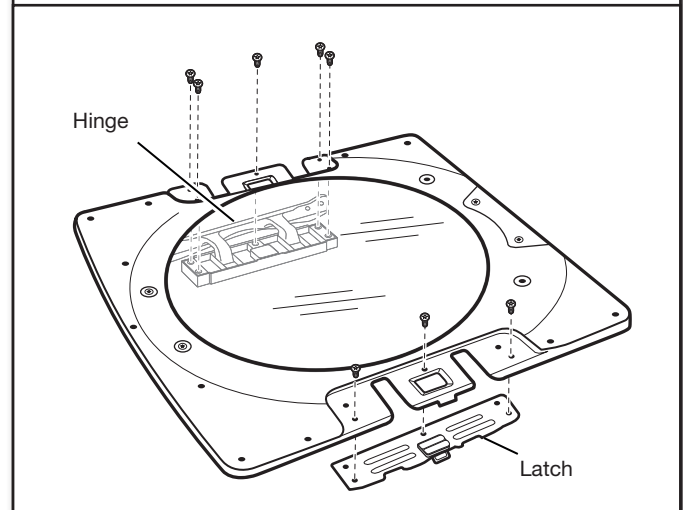
### 3. Remove inner door from outer door



Position the door with the inside of the door facing up. Using a Phillips screwdriver, remove the 13 screws securing the inner door to the outer door. Lift off the inner door and set aside.

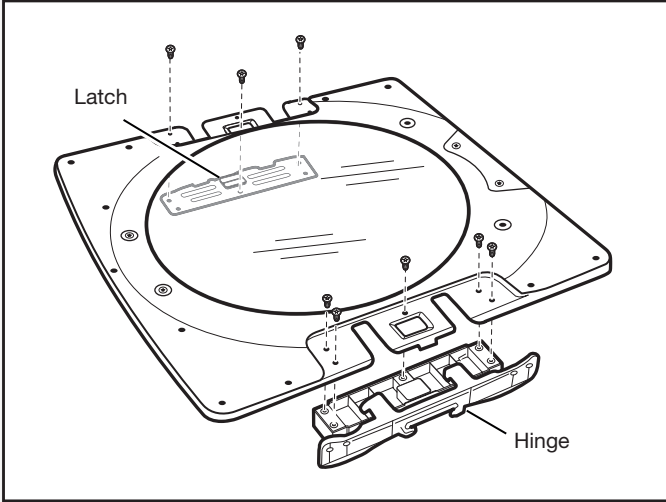
**NOTE:** There is a small release tab on each side of the door. If the inner and outer door do not separate easily, slide a credit card, putty knife, or similar flat object between the inner and outer doors at the locations shown to release the tab.

### 4. Remove hinge and latch from inner door



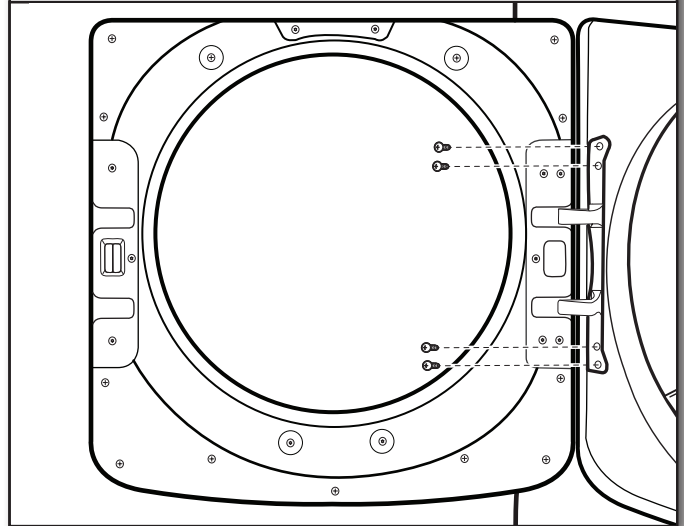
Using a T25® screwdriver, remove the three screws securing the latch plate and the five screws holding the hinge assembly in place.

## 5. Reinstall hinge and latch on opposite sides



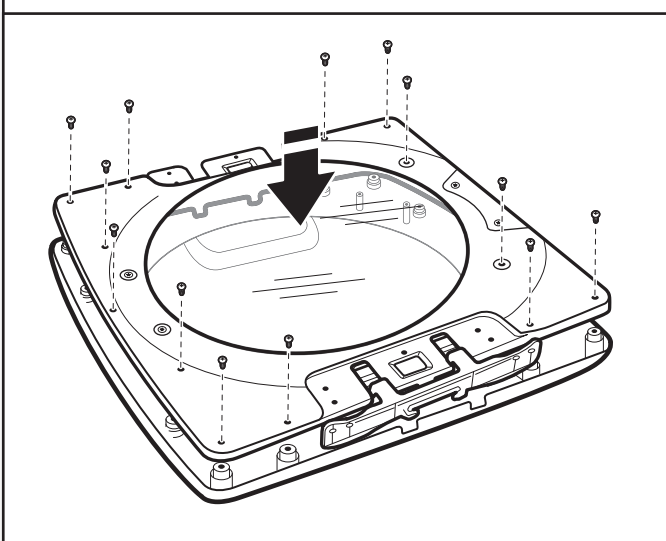
Using a T25® screwdriver, reinstall the latch plate and hinge assembly on the opposite sides from which they were removed.

## 7. Reattach door to dryer



Using a T25® screwdriver, reinstall the four screws securing the door hinge to the dryer.

## 6. Reattach inner door to outer door



Position the inner door on the outer door assembly. Using a Phillips screwdriver, secure with the 13 screws removed earlier.

# SÉCURITÉ DE LA SÈCHEUSE

## Votre sécurité et celle des autres est très importante.

Nous donnons de nombreux messages de sécurité importants dans ce manuel et sur votre appareil ménager. Assurez-vous de toujours lire tous les messages de sécurité et de vous y conformer.



Voici le symbole d'alerte de sécurité.

Ce symbole d'alerte de sécurité vous signale les dangers potentiels de décès et de blessures graves à vous et à d'autres.

Tous les messages de sécurité suivront le symbole d'alerte de sécurité et le mot "DANGER" ou "AVERTISSEMENT". Ces mots signifient :

**⚠ DANGER**

Risque possible de décès ou de blessure grave si vous ne suivez pas immédiatement les instructions.

**⚠ AVERTISSEMENT**

Risque possible de décès ou de blessure grave si vous ne suivez pas les instructions.

Tous les messages de sécurité vous diront quel est le danger potentiel et vous disent comment réduire le risque de blessure et ce qui peut se produire en cas de non-respect des instructions.



## **AVERTISSEMENT - "Risque d'incendie"**

- L'installation de la sècheuse à linge doit être effectuée par un installateur qualifié.
- Installer la sècheuse conformément aux instructions du fabricant et aux codes locaux.
- Ne pas installer de sècheuse à linge avec des matériaux d'évacuation en plastique souple ou un conduit métallique souple (de type papier d'aluminium). Si un conduit métallique souple est installé, celui-ci doit être d'un type spécifique identifié par le fabricant de l'appareil et convenir à une utilisation avec les sècheuses à linge. Les matériaux d'évacuation souples sont connus pour s'affaisser, être facilement écrasés et bloquer la charpie. Ces situations obstrueront le débit d'air de la sècheuse à linge et augmenteront le risque d'incendie.
- Pour réduire le risque de blessure grave ou de décès, suivre toutes les instructions d'installation.
- Conserver ces instructions.

### **⚠ AVERTISSEMENT**

#### **Risque d'incendie**

Le non-respect de cet avertissement peut causer des blessures graves, des dommages à la propriété ou le décès.

**Ne pas installer de ventilateur d'appoint dans le conduit d'évacuation.**

**Installer toutes les sècheuses en respectant les instructions d'installation du fabricant de la sècheuse.**

 **AVERTISSEMENT :**

**RISQUE D'INCENDIE OU D'EXPLOSION**

Le non-respect des avertissements de sécurité peut causer des dommages à la propriété, des blessures graves, voire la mort.

- Ne pas entreposer ou utiliser de l'essence ou d'autres vapeurs ou liquides inflammables à proximité de cet appareil ou de tout autre appareil électroménager.
- **QUE FAIRE DANS LE CAS D'UNE ODEUR DE GAZ :**
  - Ne pas tenter d'allumer un appareil.
  - Ne pas toucher à un commutateur électrique; ne pas utiliser le téléphone se trouvant sur les lieux.
  - Évacuer tous les gens de la pièce, de l'édifice ou du quartier.
  - Appeler immédiatement le fournisseur de gaz d'un téléphone voisin. Suivre ses instructions.
  - À défaut de joindre votre fournisseur de gaz, appeler les pompiers.
- L'installation et l'entretien doivent être effectués par un installateur qualifié, une agence de service ou le fournisseur de gaz.

**AVERTISSEMENT :** L'odorat ne permet pas toujours la détection d'une fuite de gaz.

Les distributeurs de gaz recommandent l'emploi d'un détecteur de gaz (homologation UL ou CSA).

Pour d'autres informations, contacter le fournisseur de gaz local.

En cas de détection d'une fuite de gaz, exécuter les instructions "Que faire dans le cas d'une odeur de gaz".

**IMPORTANT :** L'installation au gaz doit être conforme aux codes locaux, ou en l'absence de codes locaux, au Code National d'alimentation au gaz, à la norme ANSI Z223.1/NFPA 54 ou au Code des installations au gaz naturel et au propane, CSA-B149.1.

La sècheuse doit être correctement reliée à la terre en conformité avec les codes locaux en vigueur, ou en l'absence de tels codes, avec le National Electrical Code, ANSI/NFPA 70 ou le Code canadien des installations électriques, CSA C22.1 partie 1.

Dans l'État du Massachusetts, les instructions d'installation suivantes sont applicables :

- Les travaux d'installation et réparation doivent être exécutés par un plombier ou tuyauteur qualifié ou licencié, ou par le personnel qualifié d'une entreprise licenciée par l'État du Massachusetts.
- Remplacer par des dispositifs de fermeture acceptables : Les robinets de gaz et robinets à bille installés pour l'utilisation devraient être indiqués.
- Si un conduit de raccordement flexible est utilisé, sa longueur ne doit pas dépasser 4 pi (121,9 cm).

**IMPORTANTES INSTRUCTIONS DE SÉCURITÉ**

Avant de jeter ou de ranger votre vieille sècheuse, enlever la porte.

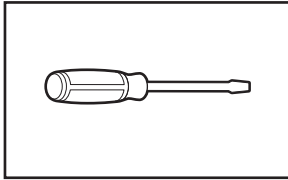
**CONSERVEZ CES INSTRUCTIONS**

# EXIGENCES D'INSTALLATION

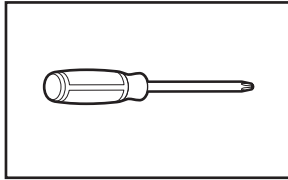
## Outillage et pièces

Rassembler les outils et composants nécessaires avant d'entreprendre l'installation.

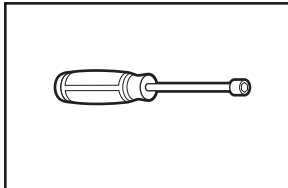
### Outils nécessaires pour toutes les installations :



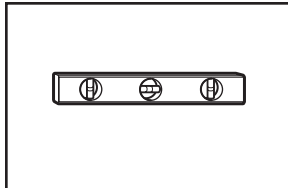
Tournevis à lame plate



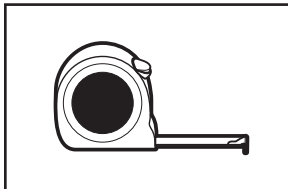
Tournevis Phillips n° 2



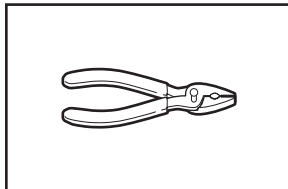
Tourne-écrou de 1/4" (6 mm) et 5/16" (8 mm) (recommandé)



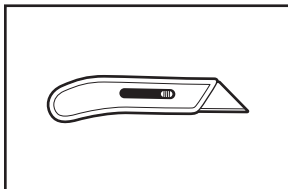
Niveau



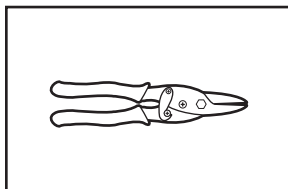
Mètre-ruban



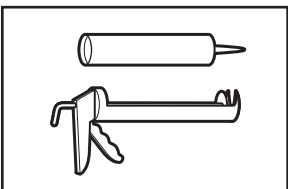
Pince



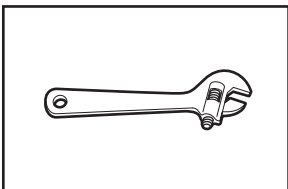
Couteau



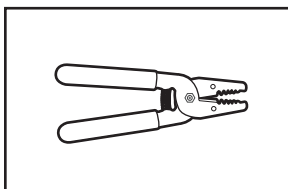
Cisaille de ferblantier (pour l'installation d'un nouveau conduit)



Pistolet à calfeutrage et composé de calfeutrage (pour l'installation d'un nouveau conduit d'évacuation)

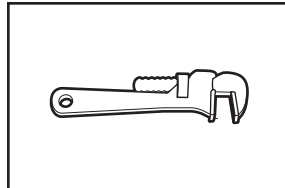


Clé à molette avec ouverture jusqu'à 1" (25 mm) ou clé à douille à tête hexagonale

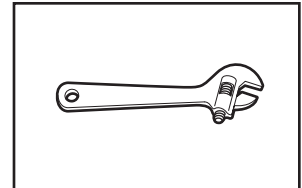


Pince à dénuder (pour les installations à raccordement direct)

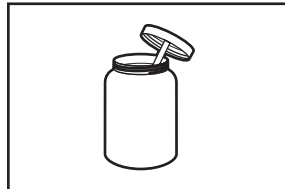
### Outils nécessaires aux installations au gaz :



Clé à tuyau de 8" (203 mm) ou 10" (254 mm)

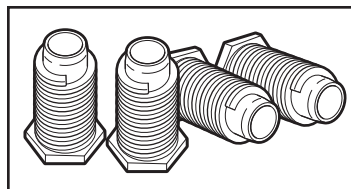


Clé à mollette de 8" (203 mm) ou 10" (254 mm) (pour le raccordement au gaz)



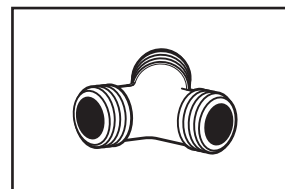
Composé d'étanchéité des raccords filetés – résistant au gaz propane

### Pièces fournies (tous les modèles) :

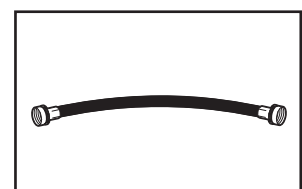


Pieds de nivellement (4)

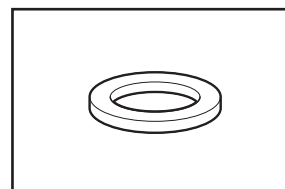
### Pièces nécessaires (modèles vapeur) :



Connecteur en "Y"



Tuyau d'arrivée d'eau de 2' (0,6 m)



Rondelle en caoutchouc



Tuyau d'arrivée d'eau de 5' (1,52 m)

Le sachet de pièces se trouve dans le tambour de la sècheuse. Vérifier que toutes les pièces sont présentes.

**REMARQUE :** Ne pas utiliser les pieds de nivellement si la sècheuse doit être installée sur un piédestal ou un ensemble superposé.

### Pièces nécessaires (non fournies avec la sècheuse) :

- Brides de conduit
- Coudes d'évacuation et conduits



Des pièces supplémentaires seront peut-être nécessaires, selon l'installation. Consulter les codes locaux. Vérifier l'alimentation électrique et le circuit d'évacuation existants. Lire "Spécifications électriques" et "Exigences concernant l'évacuation" avant d'acheter les pièces.

#### **En cas d'utilisation d'un câble d'alimentation électrique :**

Utiliser un ensemble de câble d'alimentation électrique homologué UL marqué compatible avec les sècheuses. L'ensemble doit contenir :

- Un câble d'alimentation électrique homologué UL de 30 A, 120/240 V minimum. Le cordon doit être de type SRD ou SRDT et mesurer au moins 4 pi (1,22 m) de long. Les fils raccordés à la sècheuse doivent se terminer par des cosses rondes ou à fourche à pointes relevées.
- Un serre-câble (homologation UL).


#### **Équipement facultatif (non fourni avec la sècheuse) :**

Se référer au Guide d'utilisation et d'entretien pour des renseignements sur les accessoires disponibles pour la sècheuse.

## **EXIGENCES D'EMPLACEMENT**

Vérifier les spécifications des codes. Certains codes limitent ou interdisent l'installation des sècheuses dans un garage, un placard, une résidence mobile ou une chambre à coucher. Contacter l'inspecteur en bâtiments local.

**⚠ AVERTISSEMENT**



**Risque d'explosion**

**Garder les matières et les vapeurs inflammables, telle que l'essence, loin de la sècheuse.**

**Placer la sècheuse au moins 460 mm (18 po) au-dessus du plancher pour une installation dans un garage.**

**Le non-respect de ces instructions peut causer un décès, une explosion ou un incendie.**

#### **Il faut disposer :**

- Un emplacement permettant une évacuation appropriée. Voir "Exigences concernant l'évacuation".
- Un circuit distinct de 15 ou 20 A est requis pour les sècheuses à gaz et un circuit distinct de 30 A est requis pour les sècheuses électriques.
- Si on utilise un cordon d'alimentation, une prise électrique avec liaison à la terre située à moins de 2 pi (610 mm) de l'un des côtés de la sècheuse. Voir "Spécifications électriques".
- Le plancher doit supporter le poids de la sècheuse de 200 lb (90,7 kg). Il faut également prendre en compte le poids des appareils ménagers voisins.
- Des robinets d'eau froide situés à 4 pi (1,2 m) maximum des valves de remplissage, et une pression d'eau de 20 à 120 PSI (138 à 827 kPa). Il est possible d'utiliser l'entrée d'eau de votre laveuse en achetant les pièces nécessaires indiquées dans la section "Pièces nécessaires."

- Un plancher de niveau ayant une pente maximale de 1" (25 mm) sous l'ensemble de la sècheuse. Si la pente est supérieure à 1" (25 mm), installer un ensemble de pieds d'extension pour sècheuse, pièce n° 279810. Si la sècheuse n'est pas d'aplomb, le linge peut ne pas culbuter convenablement, et les programmes automatiques commandés par détecteur peuvent ne pas fonctionner correctement.

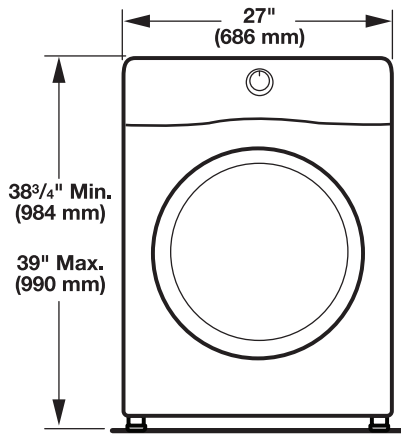
- Pour l'installation dans un garage, placer la sècheuse à au moins 18" (460 mm) au-dessus du sol. En cas d'utilisation d'un piédestal, il faudra 18" (460 mm) jusqu'au fond de la sècheuse.

- La sècheuse ne doit pas être installée ou remise dans un endroit où elle sera exposée à l'eau et/ou aux intempéries.

**IMPORTANT :** Ne pas faire fonctionner, installer ou remiser la sècheuse dans un endroit où elle sera exposée à l'eau, aux intempéries ou à des températures inférieures à 40 °F (4 °C). Des températures inférieures pourraient empêcher l'arrêt de la sècheuse à la fin des programmes automatiques commandés par détecteur, et causer des durées prolongées de séchage.

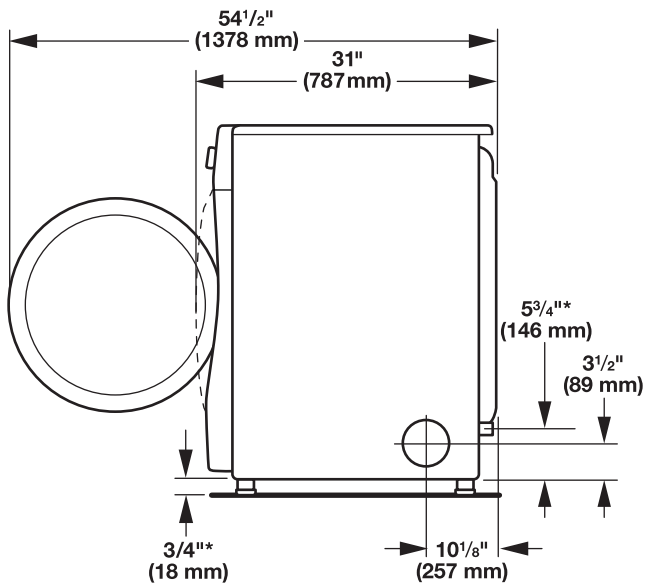
## DIMENSIONS DE LA SÈCHEUSE

Vue de face :



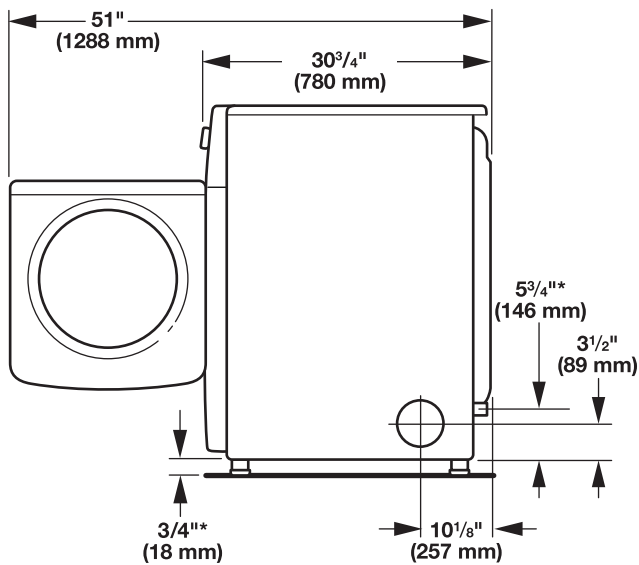
Vue latérale :

Modèles de Whirlpool®



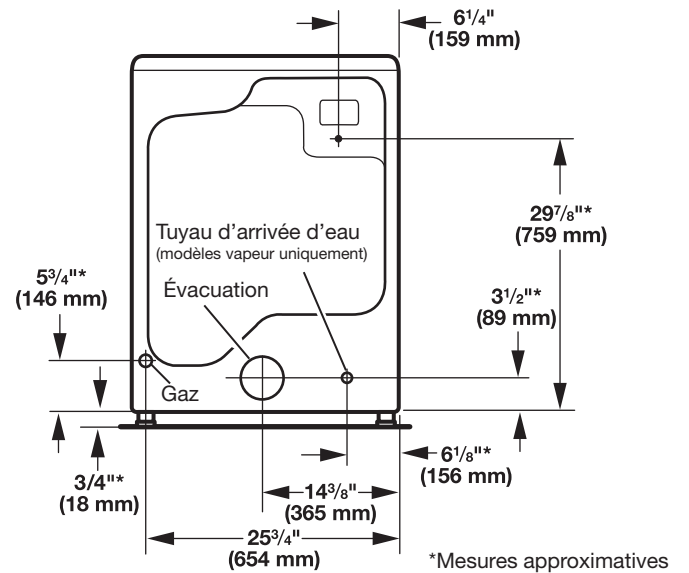
\*Mesures approximatives

Modèles de Maytag®



\*Mesures approximatives

Vue arrière :



\*Mesures approximatives

**REMARQUE :** La plupart des installations requièrent un espace minimum de 5" (127 mm) derrière la sècheuse pour le conduit d'évacuation avec coude. Voir "Exigences concernant l'évacuation."

## Distances de dégagement à respecter

Pour chaque aménagement, prévoir davantage d'espace pour faciliter l'installation et l'entretien, des espacements pour les appareils voisins, les murs, les portes et les plinthes. L'espace doit être assez grand pour permettre l'ouverture complète de la porte. Ajouter un espacement sur tous les côtés de la sècheuse pour réduire le transfert du bruit. Si une porte de placard ou une porte à claire-voie est installée, des ouvertures de ventilation en haut et en bas sont nécessaires.

Vérifier les exigences des codes. Certains codes limitent ou n'autorisent pas l'installation des sècheuses dans un garage, un placard, une maison mobile ou une chambre à coucher. Communiquer avec l'inspecteur des bâtiments local.

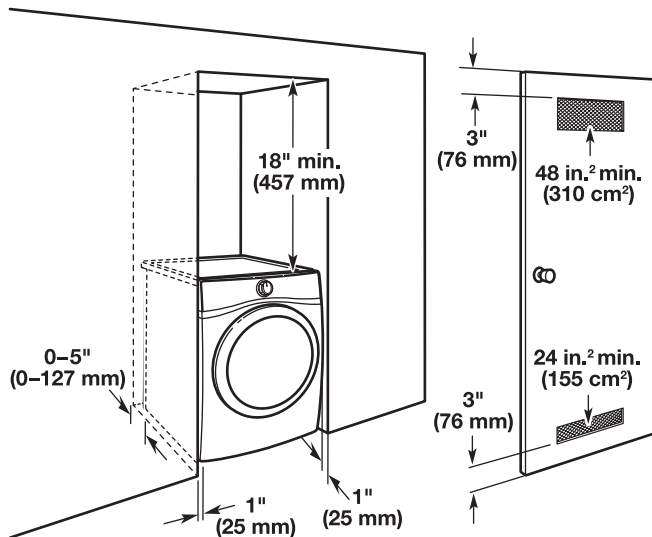
**REMARQUE :** Aucun autre appareil consommant un combustible ne doit être installé dans le même placard.

## Espacement pour une installation dans un encastrement ou dans un placard

Les dimensions indiquées correspondent à l'espacement minimal permis.

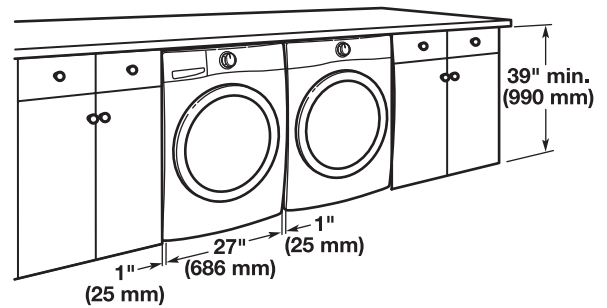
- Prévoir davantage d'espace pour faciliter l'installation et l'entretien.
- Un espace supplémentaire peut être requis pour les moulures de porte et de plancher et pour les plinthes, l'évacuation de la sècheuse et la canalisation de gaz.
- Un espace supplémentaire doit être envisagé de tous les côtés de la sècheuse afin de réduire le transfert de bruit.
- Pour installation dans un placard avec porte, on doit prévoir des ouvertures minimums d'entrée d'air en haut et en bas de la porte. Les portes à claire-voie offrant des ouvertures équivalentes de passage de l'air sont acceptables.
- Il faut aussi prendre en compte l'espace requis entre les appareils voisins.

## Distances de dégagement recommandées pour l'installation (sècheuse seulement) :



0" (0 mm) d'espace arrière est permis pour la ventilation droite seulement. Pour les modèles vapeur uniquement, le tuyau d'arrivée d'eau ne doit pas être torsadé.

## Installation sous comptoir personnalisée :



## Installation dans une résidence mobile – exigences supplémentaires :

Cette sècheuse peut être installée dans une résidence mobile. L'installation doit être conforme aux critères de la version la plus récente de la norme suivante des É.-U. : Manufactured Home Construction and Safety Standard, Title 24 CFR, Part 3280 (anciennement Federal Standard for Mobile Home Construction and Safety, Title 24, HUD Part 280) ou de la Norme CAN/CSA-Z240MH.

## Autres critères à respecter pour une installation en résidence mobile :

- Un système d'évacuation en métal qui peut être acheté auprès du marchand. Pour plus de renseignements, voir la section "Assistance ou service" dans le Guide d'utilisation et d'entretien.
- Il faut prendre des dispositions spéciales dans les maisons mobiles pour l'apport d'air de l'extérieur dans la sècheuse. Les ouvertures telles qu'une fenêtre à proximité devraient être au moins deux fois plus grande que l'ouverture de décharge de la sècheuse.

## Pour l'installation de sècheuses à gaz dans une résidence mobile :

- On peut commander la trousse d'installation dans une résidence mobile – Pièce n° 346764. Pour plus de renseignements, consulter les numéros de service indiqués à la section "Assistance ou service" du Guide d'utilisation et d'entretien.

# SÉCHEUSE ÉLECTRIQUE RACCORDEMENT À L'ALIMENTATION ÉLECTRIQUE – CANADA SEULEMENT

## SPÉCIFICATIONS ÉLECTRIQUES

### ⚠ AVERTISSEMENT



#### Risque de choc électrique

**Brancher sur une prise à 4 alvéoles reliée à la terre.**

**Le non-respect de cette instruction peut causer un décès ou un choc électrique.**

#### C'est à l'utilisateur qu'incombe la responsabilité de :

- Contacter un électricien qualifié.
- S'assurer que le raccordement électrique est adéquat et conforme au Code canadien de l'électricité, C22.1 – dernière édition, et à tous les codes locaux en vigueur. Pour obtenir un exemplaire des normes des codes ci-dessus, contacter : Canadian Standards Association, 178 Rexdale Blvd., Toronto, ON M9W 1R3 CANADA.
- L'appareil doit être alimenté uniquement par un circuit monophasé de 120/240 V CA seulement, 60 Hz à 4 fils, sur un circuit séparé de 30 A, fusionné aux deux extrémités de la ligne. On recommande d'utiliser un fusible ou un disjoncteur temporisé. On recommande également que cet appareil soit alimenté par un circuit indépendant.
- Cette sécheuse est équipée d'un cordon d'alimentation homologué UL et/ou par la CSA International à introduire dans une prise murale standard 14-30R. Le cordon mesure 5 pi (1,52 m). Veiller à ce que la prise murale se trouve à proximité de l'emplacement définitif de la sécheuse.



Prise murale à 4 fils  
(14-30R)

Lorsqu'on utilise un cordon d'alimentation de rechange, il est recommandé d'utiliser le cordon d'alimentation de rechange, pièce n° 8529008.

Pour plus de renseignements, consulter les numéros de service indiqués à la section "Assistance ou service" du Guide d'utilisation et d'entretien.

### INSTRUCTIONS DE LIAISON À LA TERRE

- Pour une sécheuse reliée à la terre et connectée par un cordon :

Cette sécheuse doit être reliée à la terre. En cas de mauvais fonctionnement ou de panne, la liaison à la terre réduira le risque de choc électrique en offrant au courant électrique un acheminement d'évacuation de moindre résistance. Cette sécheuse est alimentée par un cordon électrique comportant un conducteur relié à la terre et une fiche de branchement munie d'une broche de liaison à la terre. La fiche doit être branchée sur une prise appropriée qui est bien installée et reliée à la terre conformément à tous les codes et règlements locaux.

**AVERTISSEMENT :** Le raccordement incorrect de cet appareil au conducteur de liaison à la terre peut susciter un risque de choc électrique. En cas de doute quant à la qualité de liaison à la terre de la sécheuse, consulter un électricien ou un technicien ou un personnel qualifié. Ne pas modifier la fiche de branchement fournie avec la sécheuse; si la fiche ne correspond pas à la configuration de la prise de courant, demander à un électricien qualifié d'installer une prise de courant appropriée.

**CONSERVEZ CES INSTRUCTIONS**

## RACCORDEMENT D'UNE SÉCHEUSE À GAZ

### SPÉCIFICATIONS ÉLECTRIQUES

### ⚠ AVERTISSEMENT



#### Risque de choc électrique

**Brancher sur une prise à 3 alvéoles reliée à la terre.**

**Ne pas enlever la broche de liaison à la terre.**

**Ne pas utiliser un adaptateur.**

**Ne pas utiliser un câble de rallonge.**

**Le non-respect de ces instructions peut causer un décès, un incendie ou un choc électrique.**

- L'appareil doit être alimenté par un circuit de 120 V, CA seulement, 60 Hz, 15 ou 20 A, protégé par fusible. On recommande l'emploi d'un fusible ou d'un disjoncteur temporisé. Il est recommandé de raccorder l'appareil sur un circuit distinct exclusif à cet appareil.

## INSTRUCTIONS DE LIAISON À LA TERRE

- Pour une sécheuse reliée à la terre et connectée par un cordon :

Cette sécheuse doit être reliée à la terre. En cas de mauvais fonctionnement ou de panne, la liaison à la terre réduira le risque de choc électrique en offrant au courant électrique un acheminement d'évacuation de moindre résistance. Cette sécheuse est alimentée par un cordon électrique comportant un conducteur relié à la terre et une fiche de branchement munie d'une broche de liaison à la terre. La fiche doit être branchée sur une prise appropriée qui est bien installée et reliée à la terre conformément à tous les codes et règlements locaux.

**AVERTISSEMENT :** Le raccordement incorrect de cet appareil au conducteur de liaison à la terre peut susciter un risque de choc électrique. En cas de doute quant à la qualité de liaison à la terre de la sécheuse, consulter un électricien ou un technicien ou un personnel qualifié. Ne pas modifier la fiche de branchement fournie avec la sécheuse; si la fiche ne correspond pas à la configuration de la prise de courant, demander à un électricien qualifié d'installer une prise de courant appropriée.

**CONSERVEZ CES INSTRUCTIONS**

- Cette sécheuse doit être équipée du brûleur convenable, correspondant au gaz spécifique qui alimente l'habitation. L'information sur le brûleur se trouve sur la plaque signalétique dans le logement de la porte de la sécheuse. Si ces renseignements ne correspondent pas au type de gaz disponible, contacter le marchand ou composer les numéros de téléphone indiqués dans la section "Assistance ou service" du Guide d'utilisation et d'entretien.

### Conversion pour l'alimentation au propane :

**IMPORTANT :** Un technicien qualifié doit effectuer la conversion.

Ne pas entreprendre de convertir l'appareil pour l'utilisation d'un gaz différent de celui indiqué sur la plaque signalétique sans d'abord consulter la compagnie de gaz.

## CANALISATION DE GAZ

### Option 1 (méthode recommandée)

Raccord à gaz en acier inoxydable flexible :

- Si les codes locaux le permettent, utiliser un raccord neuf en acier inoxydable souple (conception homologuée par l'American Gas Association ou par CSA International) pour raccorder la sécheuse à la canalisation rigide d'alimentation en gaz. Selon le besoin, utiliser un coude et un adaptateur de 3/8" x tuyau NPT de 3/8" entre le raccord de gaz flexible et la canalisation de gaz de la sécheuse, pour éviter toute déformation.

### Option 2 (méthode alternative)

Conduit d'aluminium ou de cuivre approuvé :

- La canalisation doit comprendre un connecteur obturé (filetage NPT de 1/8" ou plus) accessible pour le raccordement de l'instrument de mesure, immédiatement en amont de la connexion d'alimentation en gaz de la sécheuse. Voir l'illustration.
  - Un tuyau IPS de 1/2" est recommandé.
  - Pour les longueurs inférieures à 20 pi (6,1 m), on peut utiliser des tuyaux de cuivre ou d'aluminium de 3/8" si les codes locaux et le fournisseur de gaz le permettent.
  - Pour le gaz naturel, ne pas utiliser de conduits en cuivre.
  - Pour les longueurs supérieures à 20 pi (6,1 m), on peut utiliser des tuyaux plus gros et un adaptateur de grosseur différente.
  - Si la sécheuse a été convertie pour une utilisation de gaz propane, on peut utiliser un tuyau en cuivre compatible au propane de 3/8". Si la longueur totale de la canalisation d'arrivée de gaz est supérieure à 20 pi (6,1 m), utiliser une plus grosse conduite.
- REMARQUE :** On doit utiliser un composé d'étanchéité des tuyauteries résistant à l'action du gaz propane. Ne pas utiliser de ruban TEFLON<sup>†</sup>.
- La canalisation doit comprendre un robinet d'arrêt.

### Aux États-Unis :

Un robinet d'arrêt individuel manuel doit être installé à six (6) pi (1,8 m) de la sécheuse, conformément au National Fuel Gas Code, ANSI Z223.1. L'emplacement doit être facile à atteindre pour ouvrir et fermer la sécheuse.

## SPÉCIFICATIONS DE L'ALIMENTATION EN GAZ

# ⚠ AVERTISSEMENT



### Risque d'explosion

Utiliser une canalisation neuve d'arrivée de gaz approuvée par CSA International.

Installer un robinet d'arrêt.

Bien serrer chaque organe de connexion de la canalisation de gaz.

En cas de connexion au gaz propane, demander à une personne qualifiée de s'assurer que la pression de gaz ne dépasse pas 33 cm (13 po) de la colonne d'eau.

Par personne qualifiée, on comprend :

le personnel autorisé de chauffage,  
le personnel autorisé d'une compagnie de gaz, et  
le personnel d'entretien autorisé.

Le non-respect de ces instructions peut causer un décès, un explosion ou un incendie.

## TYPE DE GAZ

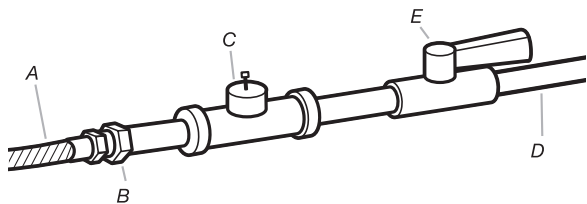
### Gaz naturel :

Cette sécheuse est équipée pour une alimentation au gaz naturel. Elle est homologuée par UL pour l'alimentation au gaz propane, avec conversion appropriée.

<sup>†</sup>TEFLON est une marque déposée de Chemours.

## Au Canada :

Un robinet d'arrêt individuel manuel doit être installé conformément à la norme B149.1 du Code des installations au gaz naturel ou propane. On recommande qu'un robinet d'arrêt manuel individuel soit installé à moins de 6 pi (1,8 m) de la sècheuse. Choisir l'emplacement d'installation du robinet d'arrêt pour qu'il soit facilement accessible pour les manoeuvres d'ouverture et fermeture.



- A. Connecteur de gaz flexible de 3/8"
- B. Adaptateur de tuyau au joint conique de 3/8"
- C. Connecteur obturé (filetage NPT de 1/8" ou plus)
- D. Canalisation de gaz (NPT de 1/2")
- E. Robinet d'arrêt du gaz

## EXIGENCES CONCERNANT LE RACCORDEMENT AU GAZ

- Utiliser un coude et un adaptateur NPT de 3/8" x 3/8" entre le connecteur de gaz flexible et la conduite de gaz de la sècheuse, tel que nécessaire pour éviter le pincement.
- Utiliser uniquement un composé d'étanchéité des tuyauteries. Ne pas utiliser de ruban TEFLON®.
- On doit raccorder la sècheuse à la canalisation de gaz à l'aide d'un connecteur de gaz flexible homologué qui respecte les normes applicables aux connecteurs utilisés avec des appareils ménagers à gaz, ANSI Z21.24 ou CSA 6.10.

## CARACTÉRISTIQUES D'ALIMENTATION DU BRÛLEUR

### Altitudes supérieures à 2 000 pieds (610 m) :

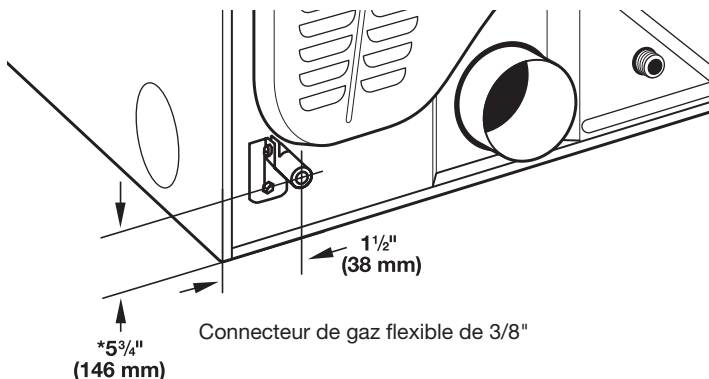
- Si la sècheuse doit être utilisée à une altitude supérieure à 2 000 pieds (610 m), on doit réduire de 4 % le débit thermique du brûleur indiqué sur la plaque signalétique pour chaque tranche de 1 000 pieds (305 m) d'augmentation de l'altitude. Épreuve sous pression de l'alimentation en gaz.

### Épreuve sous pression de l'alimentation en gaz

- La sècheuse doit être déconnectée du système de canalisations d'alimentation en gaz lors de tout test de pression à des pressions plus élevées que 1/2 lb/po<sup>2</sup>.

## CANALISATION D'ARRIVÉE DE GAZ DE LA SÈCHEUSE

- La canalisation d'arrivée de gaz sortant à l'arrière de la sècheuse est dotée d'un filetage mâle de 3/8".



**\*REMARQUE :** Si la sècheuse est montée sur un piédestal, prévoir 10" (254 mm) ou 15,5" (394 mm) de plus à partir du sol pour la hauteur de la canalisation d'arrivée de gaz, en fonction du modèle de piédestal. Pour une installation dans un garage, prévoir 18" (460 mm) de plus à partir du sol pour la hauteur de la canalisation d'arrivée de gaz.

## INSTALLATION DES PIEDS DE NIVELLEMENT

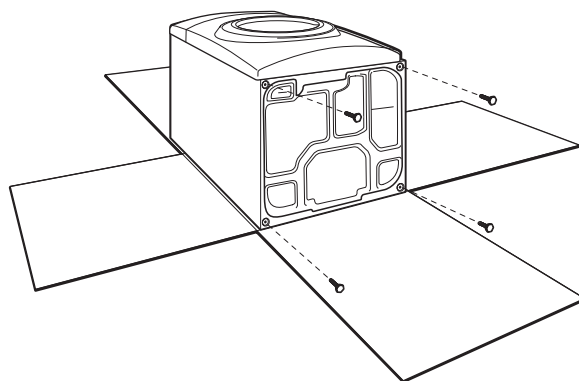
### ⚠ AVERTISSEMENT

#### Risque du poids excessif

Utiliser deux ou plus de personnes pour déplacer et installer la sècheuse.

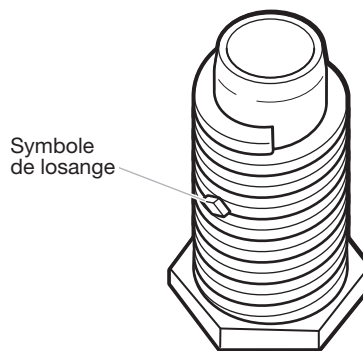
Le non-respect de cette instruction peut causer une blessure au dos ou d'autre blessure.

## 1. Préparer la sècheuse pour les pieds de nivellement



Pour ne pas endommager le plancher, utiliser une grande pièce de carton de l'emballage de la sècheuse; la placer sous tout le bord arrière de la sècheuse. Saisir fermement la sècheuse par la caisse (non par le panneau de commande) et incliner soigneusement la sècheuse sur le carton.

## 2. Visser dans les pieds de nivellement



Examiner les pieds de nivellement, trouver le symbole de losange. Introduire manuellement les vis des pieds dans les trous – utiliser une clé à molette pour visser les pieds jusqu'à ce que le symbole de losange ne soit plus visible.

Placer une cornière de carton prise à partir de l'emballage de la sècheuse sous chacun des deux coins arrière de la sècheuse. Redresser la sècheuse. Faire glisser la sècheuse sur les cornières jusqu'à ce qu'elle soit proche de son emplacement final. Laisser suffisamment d'espace pour connecter le conduit d'évacuation.

# RACCORDEMENT AU GAZ

(modèles de sècheuses à gaz uniquement)

## ⚠️ AVERTISSEMENT



### Risque d'explosion

Utiliser une canalisation neuve d'arrivée de gaz approuvée par CSA International.

Installer un robinet d'arrêt.

Bien serrer chaque organe de connexion de la canalisation de gaz.

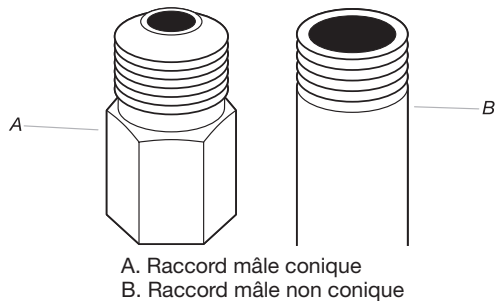
En cas de connexion au gaz propane, demander à une personne qualifiée de s'assurer que la pression de gaz ne dépasse pas 33 cm (13 po) de la colonne d'eau.

Par personne qualifiée, on comprend :

le personnel autorisé de chauffage,  
le personnel autorisé d'une compagnie de gaz, et  
le personnel d'entretien autorisé.

Le non-respect de ces instructions peut causer un décès, un explosion ou un incendie.

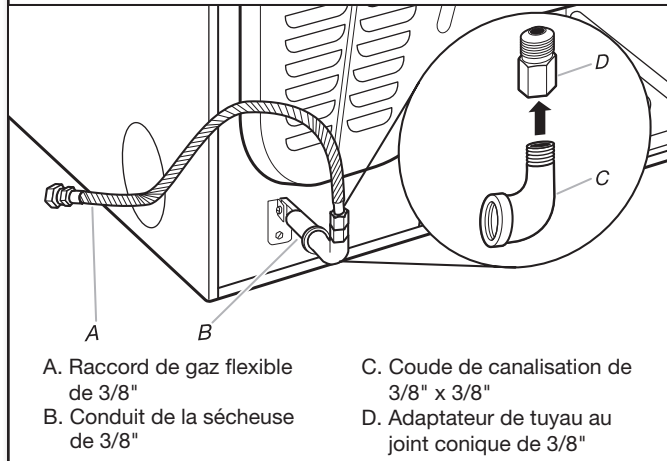
## 1. Connecter l'alimentation en gaz à la sècheuse



Retirer le capuchon rouge de la canalisation d'arrivée de gaz. À l'aide d'une clé pour serrer, raccorder l'alimentation en gaz à la sècheuse. Utiliser un composé d'étanchéité des tuyauteries sur tous les filetages des raccords mâles non coniques. Si on utilise un conduit métallique souple, veiller à ce qu'il ne soit pas pincé.

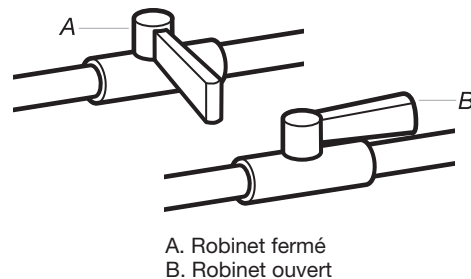
**REMARQUE :** Pour les raccordements au gaz propane, il faut utiliser un composé d'étanchéité des tuyauteries résistant à l'action du gaz propane. Ne pas utiliser de ruban TEFLON®.

## 2. Planifier le raccordement du raccord (option 1)



On doit utiliser une combinaison de raccords de canalisation pour raccorder la sècheuse à l'alimentation en gaz existante. Un raccordement est illustré. Le raccordement peut varier, selon le type d'alimentation, la dimension et l'emplacement.

## 3. Ouvrir le robinet d'arrêt



Ouvrir le robinet d'arrêt du conduit d'alimentation; le robinet est ouvert lorsque la poignée est parallèle au conduit. Puis vérifier tous les raccordements en les badigeonnant d'une solution de détection des fuites non corrosive approuvée. L'apparition de bulles indique la présence d'une fuite. Réparer toute fuite éventuelle.

# ÉVACUATION

## Exigences concernant l'évacuation

### **AVERTISSEMENT**



#### Risque d'incendie

Utiliser un conduit d'évacuation en métal lourd.

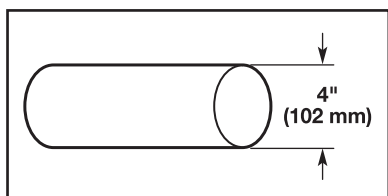
Ne pas utiliser un conduit d'évacuation en plastique.

Ne pas utiliser un conduit d'évacuation en feuille de métal.

Le non-respect de ces instructions peut causer un décès ou un incendie.

**AVERTISSEMENT :** Pour réduire le risque d'incendie, cette sècheuse doit ÉVACUER L'AIR À L'EXTÉRIEUR.

**IMPORTANT :** Respecter les dispositions de tous les codes et règlements en vigueur. Le conduit d'évacuation de la sècheuse ne doit pas être connecté à une évacuation de gaz, une cheminée, un mur, un plafond, un grenier, un vide sanitaire ou un vide de construction. Seul un conduit en métal flexible ou rigide doit être utilisé pour l'évacuation.



Conduit d'évacuation en métal lourd de 4" (102 mm)

- Utiliser uniquement un conduit d'évacuation en métal lourd de 4" (102 mm) et des brides de serrage.
- Ne pas utiliser de conduit de plastique ou de métal très mince.

#### Conduit métallique rigide

- Recommandé pour une meilleure performance de séchage et pour réduire les risques d'écrasement et de déformation.

**Conduit métallique flexible** (Acceptable uniquement si accessible pour le nettoyage).

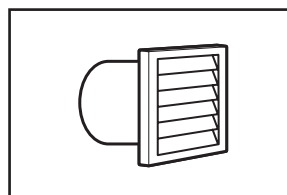
- Doit être complètement déployé et supporté dans l'emplacement final de la sècheuse.
- Enlever tout excès de conduit pour éviter tout affaissement et déformation susceptible de réduire la capacité d'évacuation et le rendement.
- Ne pas installer le conduit dans les cavités fermées des murs, plafonds ou planchers.
- La longueur totale ne doit pas excéder 7¼ pi (2,4 m).
- La longueur du conduit métallique d'évacuation souple utilisé doit être prise en compte lors de la conception de l'ensemble du circuit d'évacuation, tel qu'indiqué dans les "Tableaux des systèmes d'évacuation."

**REMARQUE :** Lors de l'utilisation d'un système de décharge existant, nettoyer et éliminer la charpie sur toute la longueur du système et veiller à ce que le clapet d'évacuation ne soit pas obstrué par une accumulation de charpie. Remplacer tout conduit de plastique ou de feuille métallique par un conduit métallique rigide ou flexible. Examiner les "Tableaux des systèmes d'évacuation" et, au besoin, apporter les modifications nécessaires au système d'évacuation pour atteindre le meilleur rendement de séchage.

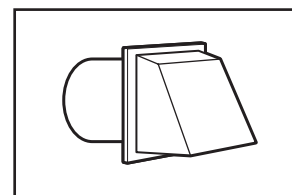
#### Clapets de décharge :

- Terminer le conduit d'évacuation par un clapet d'évacuation pour empêcher les rongeurs et insectes d'entrer dans l'habitation.
- Doit se situer à au moins 12" (305 mm) au-dessus du sol ou de tout objet susceptible d'obstruer l'évacuation (par exemple fleurs, roches, arbustes ou neige).
- Ne pas utiliser un clapet d'évacuation à fermeture magnétique.

#### Styles recommandés :

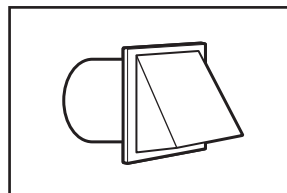


Clapet à persiennes



Clapet de type boîte

#### Style acceptable :

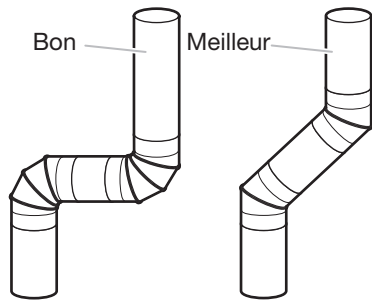


Clapet incliné



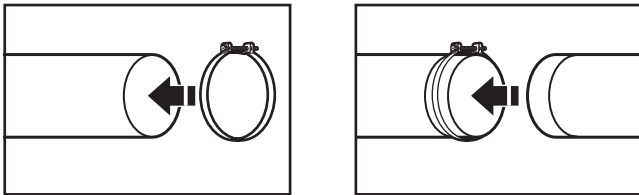
## Coudes :

- Les coudes à 45° permettent une meilleure circulation de l'air que les coudes à 90°.



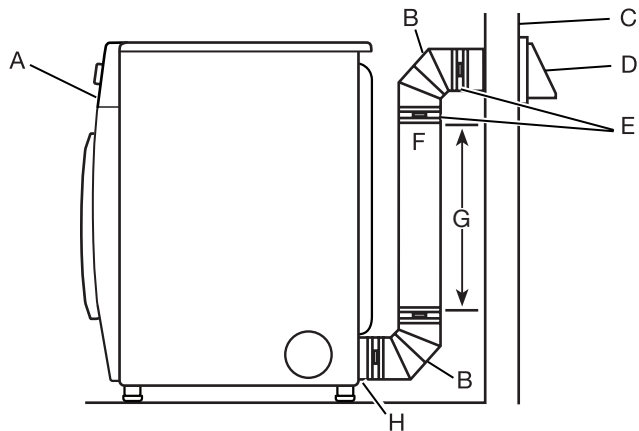
## Brides de serrage :

- Utiliser des brides de serrages pour sceller tous les joints.
- Le conduit d'évacuation ne doit pas être connecté ou fixé avec des vis ou avec tout autre dispositif de serrage qui se prolonge à l'intérieur du conduit et où la charpie risque de s'accrocher. Ne pas utiliser de ruban adhésif pour conduit.




## Planification du système d'évacuation

### Installations d'évacuation recommandées :



- |                        |  |
|------------------------|--|
| A. Sécheuse            | F. Conduit d'évacuation métallique rigide ou souple                            |
| B. Raccord coudé       | G. Longueur de conduit d'évacuation nécessaire pour le raccordement des coudes |
| C. Mur                 | H. Bouche de décharge  |
| D. Clapet d'évacuation |  |
| E. Brides              |  |

**⚠ AVERTISSEMENT**



**Risque d'incendie**

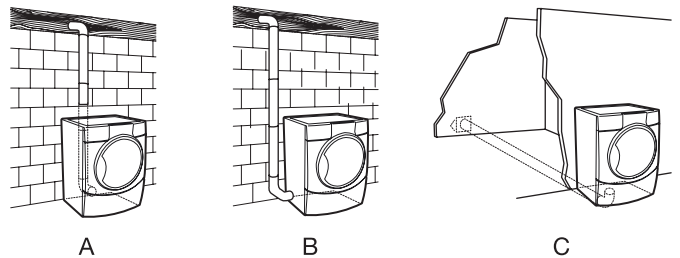
**Recouvrir tous les orifices d'évacuation non utilisés avec une trousse du fabricant.**

**Contactez votre marchand local.**

**Le non-respect de ces instructions peut causer un décès, un incendie, un choc électrique ou une blessure grave.**

### Installations d'évacuation facultatives :

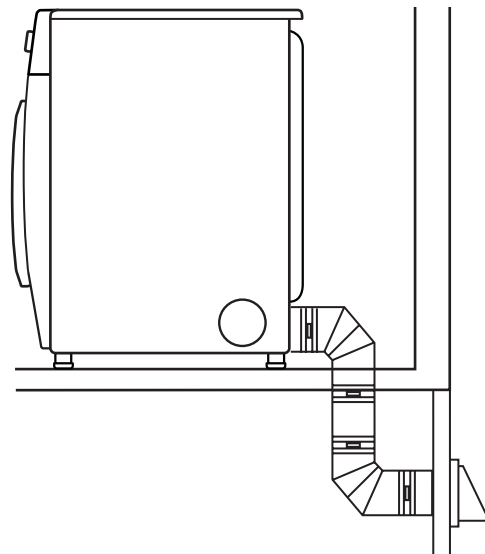
Cette sécheuse peut être convertie pour évacuer par le côté droit, le côté gauche (tous les modèles sauf les systèmes d'évacuation de grande longueur) ou par le bas. Contacter le détaillant local pour convertir la sécheuse, le cas échéant.



- A. Installation avec acheminement standard du conduit d'évacuation par l'arrière
- B. Installation du conduit d'évacuation par la gauche ou par la droite
- C. Installation avec évacuation par le bas

### Dispositions spéciales pour les résidences mobiles :

Le système d'évacuation doit être solidement fixé à une section non combustible de la structure de la résidence mobile et ne doit pas se terminer en dessous de celle-ci. Acheminer le conduit d'évacuation vers l'extérieur.



### Déterminer l'itinéraire d'acheminement du conduit :

- Choisir l'itinéraire d'acheminement vers l'extérieur qui sera le plus direct et le plus rectiligne.
- Planifier l'installation pour introduire le nombre minimal de coudes et de changements de direction.
- Si des coudes ou changements de direction sont utilisés, prévoir autant d'espace que possible.
- Plier le conduit graduellement pour éviter de le déformer.
- Utiliser le moins de changements de direction à 90° possible.

### Déterminer la longueur du conduit et les coudes nécessaires :

- Utiliser les "Tableaux des systèmes d'évacuation" ci-dessous pour déterminer le type de composants et les combinaisons acceptables.

**REMARQUE :** Ne pas utiliser un conduit de longueur supérieure à la valeur spécifiée dans les "Tableaux des systèmes d'évacuation".

Si la longueur du circuit est supérieure à la valeur spécifiée dans le tableau, on observera :

- Une réduction de la longévité de la sècheuse.
- Une réduction du rendement, avec temps de séchage plus longs et une plus grande consommation d'énergie.

Les "Tableaux des systèmes d'évacuation" fournissent les exigences d'évacuation qui aident à atteindre la meilleure performance de séchage.

| Tableau des systèmes d'évacuation standards |                              |                  |
|---|------------------------------|------------------|
| Nombre de coudes à 90°                      | Type de conduit d'évacuation | Clapets inclinés |
| 0   | Métallique rigide            | 64 pi (20 m)     |
| 1   | Métallique rigide            | 54 pi (16.5 m)   |
| 2   | Métallique rigide            | 44 pi (13.4 m)   |
| 3   | Métallique rigide            | 35 pi (10.7 m)   |
| 4   | Métallique rigide            | 27 pi (8.2 m)    |

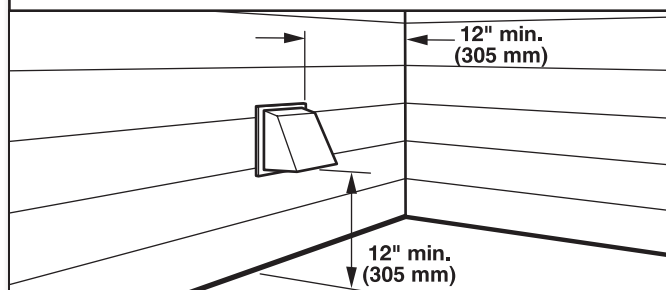
| Tableau des systèmes d'évacuation longs |                              |                  |
|---|------------------------------|------------------|
| Nombre de coudes à 90°                  | Type de conduit d'évacuation | Clapets inclinés |
| 0                                       | Métallique rigide            | 160 pi (48.8 m)  |
| 1                                       | Métallique rigide            | 150 pi (45.7 m)  |
| 2                                       | Métallique rigide            | 140 pi (42.7 m)  |
| 3                                       | Métallique rigide            | 130 pi (39.6 m)  |
| 4                                       | Métallique rigide            | 120 pi (36.6 m)  |

Pour déterminer si le modèle comporte un système d'évacuation de grande longueur, se reporter au type de code figurant sur la plaque signalétique située dans le renforcement de la porte.  
Exemple : Le type de code pour un modèle électrique est DJAV - ELE - XXXXXXX-XXX. Le type de code pour un modèle à gaz est DJAV - NAT - XXXXXXX-XXX.

**REMARQUE :** Pour des systèmes d'évacuation de grande longueur, utiliser des clapets d'évacuation à persiennes ou de type boîte - l'évacuation sera meilleure, quelle que soit la longueur du circuit.

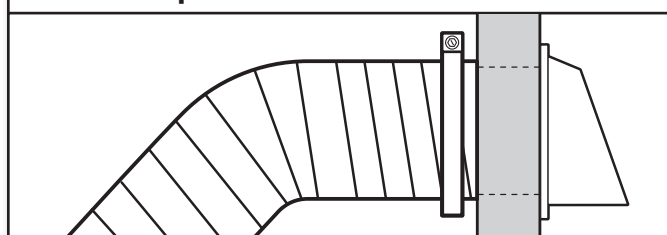
## Installation du système d'évacuation

### 1. Installer le clapet d'évacuation



Installer le clapet d'évacuation et utiliser un composé de calfeutrage pour calfeutrer le côté extérieur de l'ouverture murale autour du clapet d'évacuation.

### 2. Raccorder le conduit d'évacuation au clapet



Le conduit doit être placé par-dessus le clapet d'évacuation. Fixer ensemble le conduit et le clapet avec une bride de 4" (102 mm). Acheminer le conduit jusqu'à l'emplacement de la sècheuse en utilisant le chemin le plus rectiligne possible. Éviter les changements de direction à 90°. Utiliser des brides pour sceller tous les joints. Ne pas utiliser de ruban adhésif pour conduit, de vis ou autres dispositifs de fixation qui se prolongeraient à l'intérieur du conduit pour fixer le conduit d'évacuation; ceux-ci pourraient retenir la charpie.

# RACCORDEMENT DU TUYAU D'ALIMENTATION (MODÈLE À VAPEUR UNIQUEMENT)

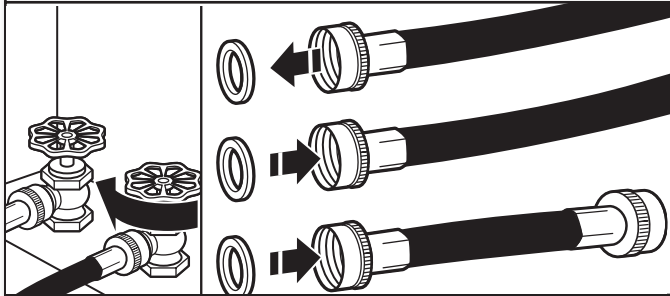
Pour les modèles sans vapeur, passer directement à la section "Raccordement du conduit d'évacuation."

La sècheuse doit être connectée au robinet d'eau froide à l'aide des nouveaux tuyaux d'alimentation (non fournis). Ne pas utiliser de tuyaux usagés.

**REMARQUE :** Remplacer les tuyaux d'arrivée d'eau après 5 ans d'utilisation pour réduire le risque de défaillance intempestive. Prendre note de la date d'installation ou de remplacement des tuyaux d'arrivée d'eau, pour référence ultérieure.

Inspecter périodiquement les tuyaux et les remplacer en cas de renflement, de déformation, de coupure, d'usure ou si une fuite se manifeste.

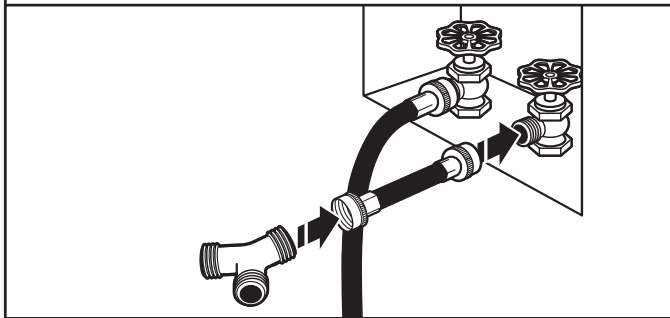
## 1. Fermer l'eau froide; retirer et remplacer le joint de caoutchouc



Arrêter le robinet d'eau froide et retirer le tuyau d'alimentation de la laveuse.

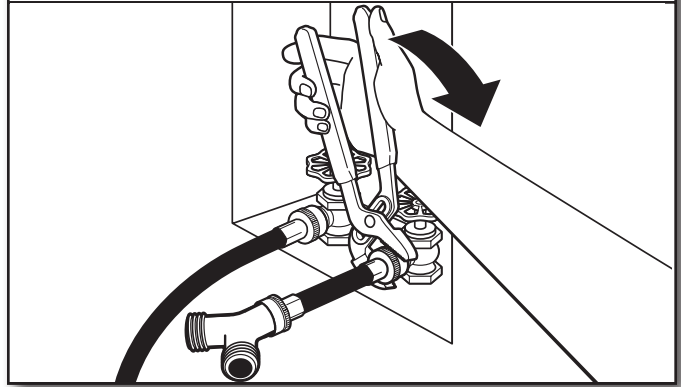
Retirer l'ancien joint de caoutchouc du tuyau d'arrivée d'eau et le remplacer par le nouveau joint de caoutchouc fourni.

## 2. Fixer le tuyau court et le raccord en "Y"



Fixer un tuyau d'arrivée d'eau de 2 pi (0,6 m) au robinet d'eau froide. Visser complètement le raccord à la main pour qu'il soit scellé au robinet. Puis fixer le raccord en "Y" à l'extrémité mâle du tuyau d'arrivée d'eau de 2 pi (0,6 m). Visser complètement le raccord à la main pour qu'il soit scellé au connecteur en "Y".

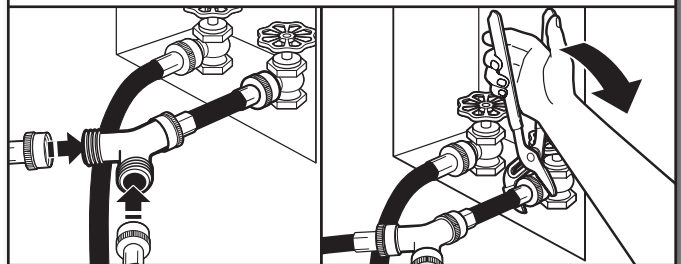
## 3. Serrer les raccords



À l'aide d'une pince, serrer les raccords en effectuant deux tiers de tour supplémentaire.

**REMARQUE :** Ne pas serrer excessivement. Le raccord risque d'être endommagé.

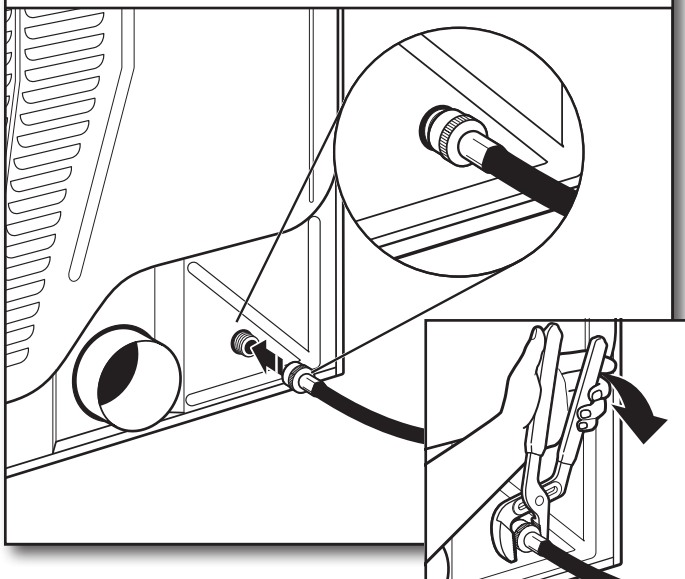
## 4. Fixer le long tuyau au raccord en "Y" et serrer les raccords



Fixer une des extrémités du tuyau d'arrivée d'eau de 5 pi (1,5 m) au connecteur en "Y". Fixer le tuyau d'alimentation en eau froide de la laveuse à l'autre extrémité du raccord en "Y". Visser le raccord à la main pour qu'il repose sur le connecteur. Terminer le serrage des raccords – deux tiers de tour supplémentaires avec une pince.

**REMARQUE :** Ne pas serrer excessivement. Le raccord risque d'être endommagé.

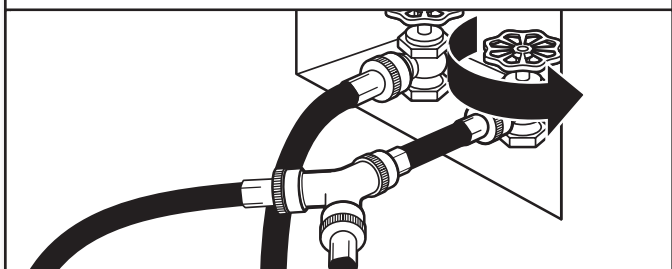
## 5. Fixer le long tuyau à l'électrovanne de remplissage de la sécheuse et serrer les raccords



Ôter le capuchon protecteur de l'orifice d'arrivée d'eau. Fixer l'extrémité inclinée du long tuyau au robinet de remplissage au bas du panneau arrière de la sécheuse. Visser complètement le raccord à la main pour qu'il soit scellé au raccord du robinet de remplissage. Terminer le serrage des raccords – deux tiers de tour supplémentaires avec une pince.

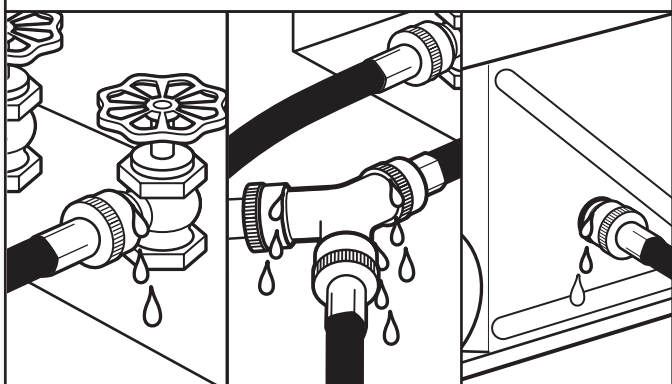
**REMARQUE :** Ne pas serrer excessivement. Le raccord risque d'être endommagé.

## 6. Ouvrir le robinet d'eau froide



Vérifier que les robinets d'eau sont ouverts.

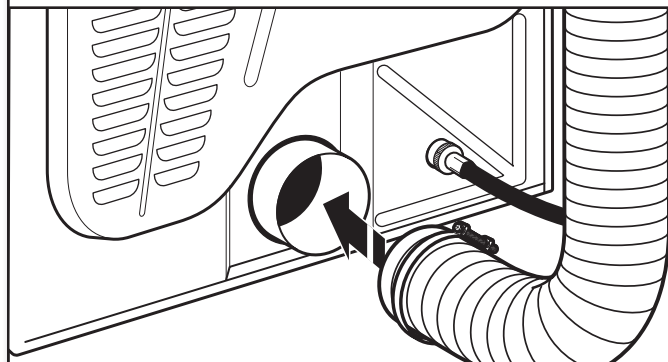
## 7. Vérifier qu'il n'y a pas de fuites



Vérifier qu'il n'y a pas de fuites autour du connecteur en "Y", du robinet et des tuyaux d'alimentation.

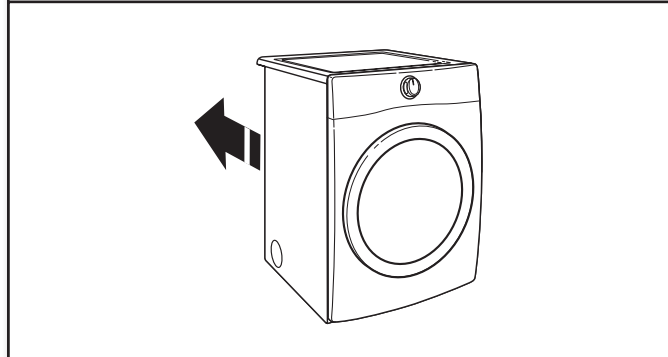
## RACCORDEMENT DU CONDUIT D'ÉVACUATION

### 1. Raccorder le conduit d'évacuation à la bouche d'évacuation



À l'aide d'une bride de serrage de 4" (102 mm), relier le conduit d'évacuation à la bouche d'évacuation de la sécheuse. Si on utilise le conduit d'évacuation existant, s'assurer qu'il est propre. Le conduit d'évacuation de la sécheuse doit être fixé par-dessus la bouche d'évacuation et à l'intérieur du clapet d'évacuation. Vérifier que le conduit d'évacuation est fixé au clapet d'évacuation à l'aide d'une bride de serrage de 4" (102 mm).

### 2. Déplacer la sécheuse à son emplacement final

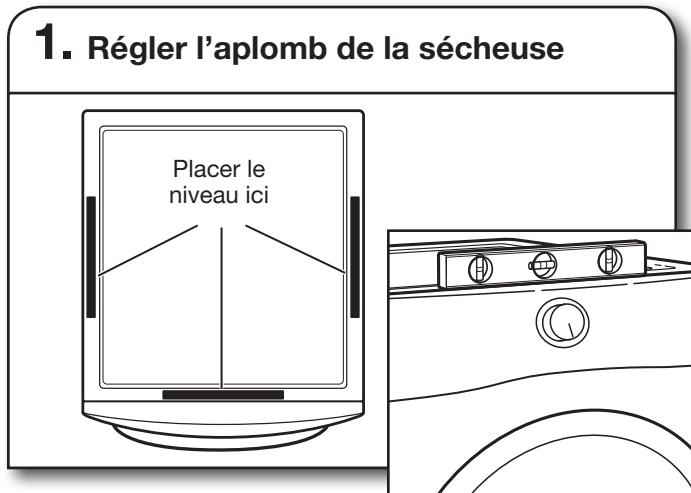


Déplacer la sécheuse à son emplacement final en prenant soin de ne pas écraser ou déformer le conduit d'évacuation ou la canalisation de gaz souple.

Une fois que la sécheuse est à son emplacement définitif, ôter les cornières et le carton du dessous de la sécheuse.

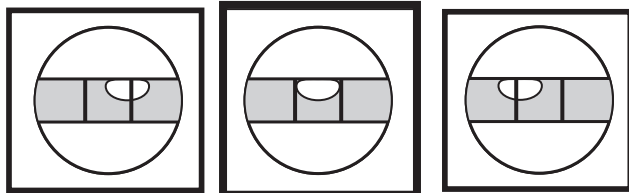
# RÉGLAGE DE L'APLOMB DE LA SÉCHEUSE

## 1. Régler l'aplomb de la sécheuse



Vérifier l'aplomb de la sécheuse d'un côté à l'autre. Répéter l'opération de l'avant vers l'arrière.

**REMARQUE :** La sécheuse doit être d'aplomb pour que le système de détection d'humidité fonctionne correctement.

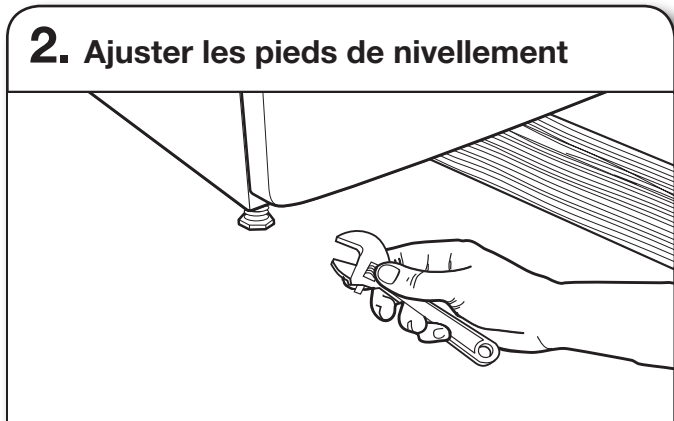


Pas d'aplomb

**D'APLOMB**

Pas d'aplomb

## 2. Ajuster les pieds de nivellement



Si la sécheuse n'est pas d'aplomb, la relever à l'aide d'un bloc de bois, utiliser une clé pour ajuster les pieds vers le haut ou vers le bas, et vérifier à nouveau si elle est d'aplomb. Une fois la sécheuse d'aplomb, s'assurer que les quatre pieds sont en contact ferme avec le plancher et que la sécheuse ne tangué pas.

# ACHEVER L'INSTALLATION LISTE DE VÉRIFICATION

- Check that you have all of your tools.
- Vérifier que toutes les pièces sont maintenant installées. S'il reste une pièce, passer en revue les différentes étapes pour découvrir laquelle aurait été oubliée.
- Vérifier la présence de tous les outils.
- Éliminer/recycler les matériaux d'emballage.
- Vérifier que les robinets d'eau sont ouverts.
- Vérifier qu'il n'y a pas de fuites autour du raccord en "Y", du robinet et des tuyaux.
- Vérifier l'emplacement définitif de la sécheuse. S'assurer que le conduit d'évacuation n'est pas écrasé ou déformé.
- Vérifier que la sécheuse est d'aplomb. Voir "Réglage de l'aplomb de la sécheuse".
- Retirer la pellicule sur le panneau de commande et tout ruban adhésif resté sur la sécheuse.
- Essuyer soigneusement l'intérieur du tambour de la sécheuse avec un chiffon humide pour éliminer toute trace de poussière.
- Lire la section "Utilisation de la sécheuse" dans le Guide d'utilisation et d'entretien.
- Si l'on réside dans une région où l'eau est dure, l'emploi d'un adoucisseur d'eau est recommandé pour contrôler l'accumulation de tartre dans le circuit d'eau de la sécheuse. Avec le temps, l'accumulation de tartre peut obstruer différentes parties du circuit d'eau, ce qui réduira la performance du produit. Une accumulation excessive de tartre peut entraîner la nécessité de remplacer ou de réparer certains composants.

### Modèles électriques seulement :

- Brancher sur une prise reliée à la terre.

### Modèles à gaz seulement :

- Brancher sur une prise reliée à la terre.
- S'assurer que l'alimentation en gaz est ouverte.
- Vérifier qu'il n'y a pas de fuites.
- Vérifier que la canalisation de gaz souple n'est pas écrasée ou déformée.

### Tous les modèles :

- Sélectionner un programme de séchage minuté avec chaleur et mettre la sécheuse en marche. Ne pas sélectionner le réglage de température Air Only (Air seulement).

#### Si la sécheuse ne démarre pas, vérifier ce qui suit :

- Les commandes sont réglées à la position de marche ou sur "On" (marche).
- Le bouton Start (Mise en marche) a été enfoncé fermement.
- La sécheuse est branchée dans une prise et/ou l'alimentation électrique est branchée.
- Les fusibles du domicile sont intacts et serrés; le disjoncteur n'est pas déclenché.
- La porte de la sécheuse est fermée.

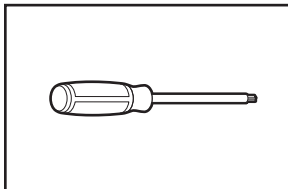
Cette sécheuse démarre automatiquement une procédure de diagnostic au début du premier programme.

**REMARQUE :** Il est possible que la sécheuse dégage une odeur lors du chauffage initial. Cette odeur est normale lorsque l'élément chauffant est utilisé pour la première fois. L'odeur disparaîtra.

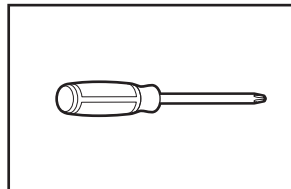
## INVERSION DE LA PORTE (FACULTATIF)

Les instructions suivantes correspondent aux modèles avec porte ronde et carrée.

### Outils nécessaires :



Tournevis TORX®, T20® et T25®† de 8" (203 mm) min. de long



Tournevis Phillips n° 2

## INVERSION DU SENS D'OUVERTURE DE LA PORTE RONDE

### PORTES AVEC CÂBLAGE ÉLECTRIQUE :

## ⚠ AVERTISSEMENT



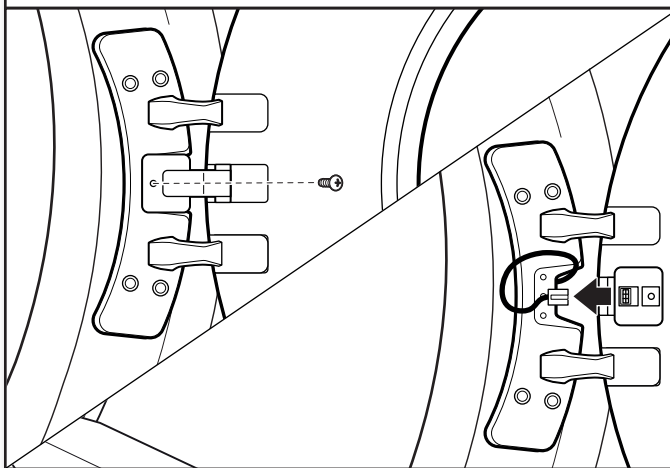
### Risque de choc électrique

Déconnecter la source de courant électrique avant l'entretien.

Replacer pièces et panneaux avant de faire la remise en marche.

Le non-respect de ces instructions peut causer un décès ou un choc électrique.

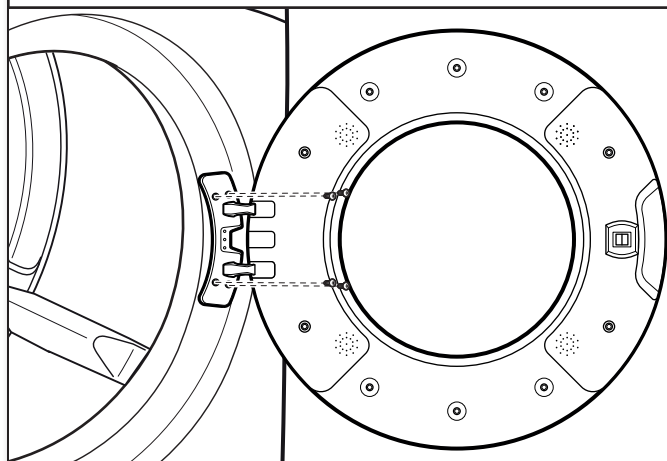
## 1. Déconnecter le câblage de la porte



À l'aide d'un tournevis cruciforme, retirer la vis centrale de la charnière. Déconnecter le câblage. Passer le câblage dans l'ouverture.

### TOUTES LES PORTES :

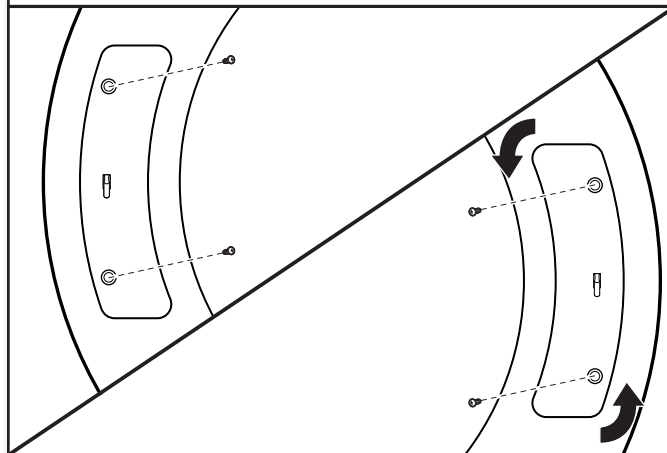
## 2. Retirer la porte de la sécheuse



**IMPORTANT :** Si l'on n'a pas encore retiré la pellicule protectrice de la sécheuse, la décoller de la porte de la sécheuse avant de continuer.

À l'aide d'un tournevis T25®, retirer les quatre vis fixant la charnière de porte à la sécheuse et soulever la porte vers le haut et l'extérieur pour l'enlever. Placer la porte sur une serviette douce ou sur une surface lisse.

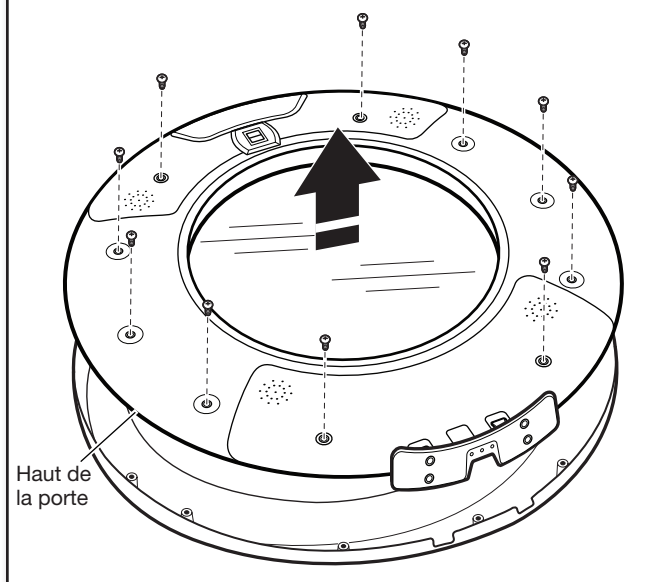
## 3. Déplacer la gâche de la porte



À l'aide d'un tournevis T25®, retirer les deux vis fixant la gâche de la porte au châssis de la porte de la sécheuse. Faire pivoter la gâche de 180° et la fixer au côté opposé du châssis de la porte de la sécheuse à l'aide des deux vis enlevées précédemment, comme indiqué.

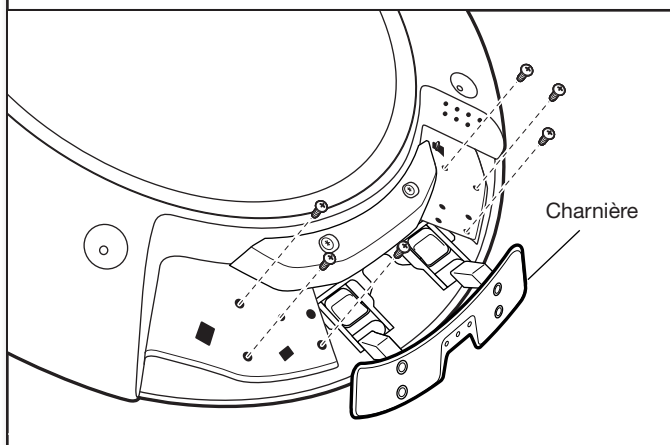
†®TORX, T20 et T25 sont les marques de commerce déposées de Acument Intellectual Properties, LLC.

#### 4. Dégager la porte interne de la porte externe



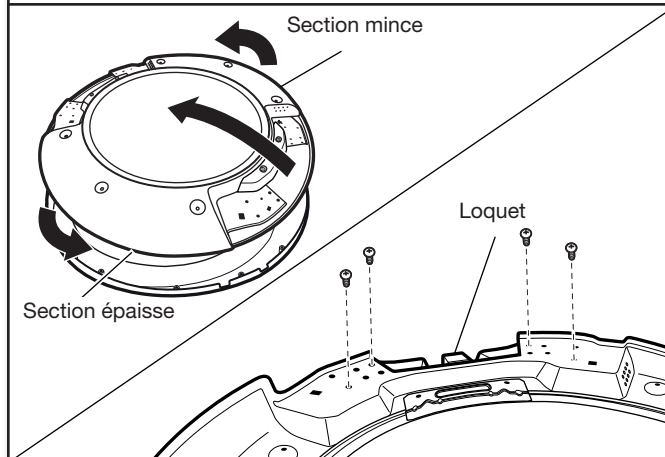
Positionner la porte de façon à ce que l'intérieur de la porte soit orienté vers le haut. À l'aide d'un tournevis cruciforme, retirer les 10 vis fixant l'intérieur de porte à l'extérieur de porte.

#### 5. Enlever la charnière



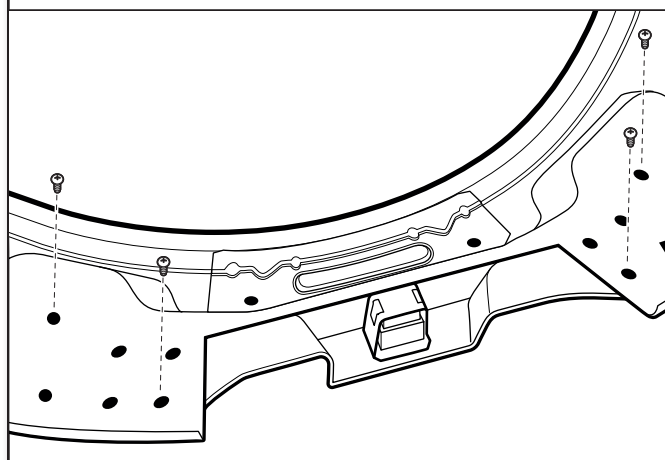
À l'aide d'un tournevis T20®, retirer les six vis maintenant en place la charnière.

#### 6. Enlever le loquet



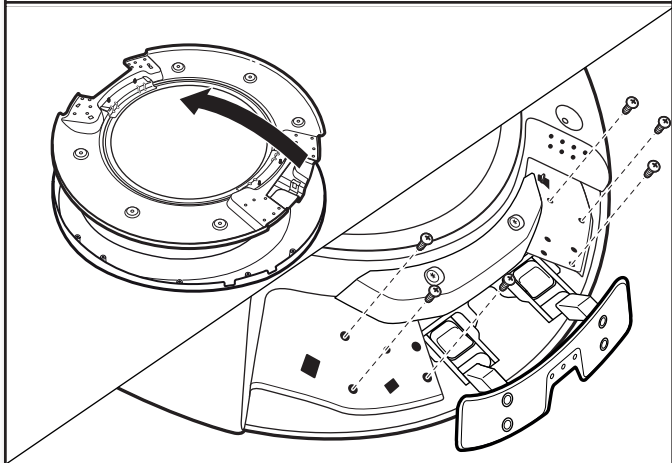
Inverser et faire pivoter l'intérieur de porte de 180° pour que la section mince se situe en haut et la section épaisse en bas. À l'aide d'un tournevis T25®, retirer les quatre vis maintenant en place la plaque du loquet.

#### 7. Réinstaller le loquet sur l'autre côté



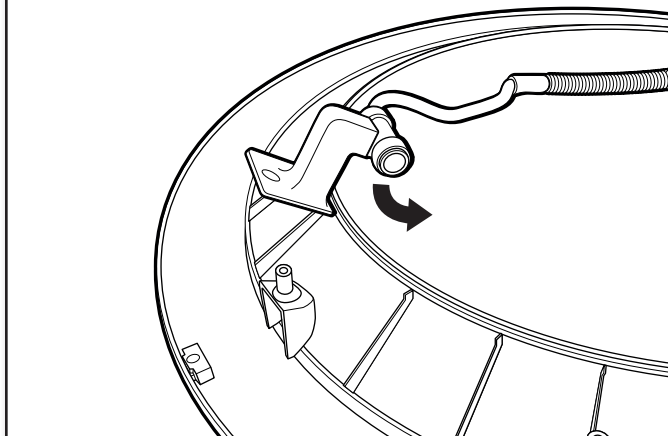
À l'aide d'un tournevis T25®, réinstaller la plaque du loquet sur le côté opposé (par rapport à celui d'où il a été enlevé) en utilisant les quatre vis enlevées précédemment.

## 8. Réinstaller la charnière sur l'autre côté



Inverser l'intérieur de porte vers la gauche. À l'aide d'un tournevis T20®, réinstaller la charnière sur le côté opposé (par rapport à celui d'où il a été enlevé).

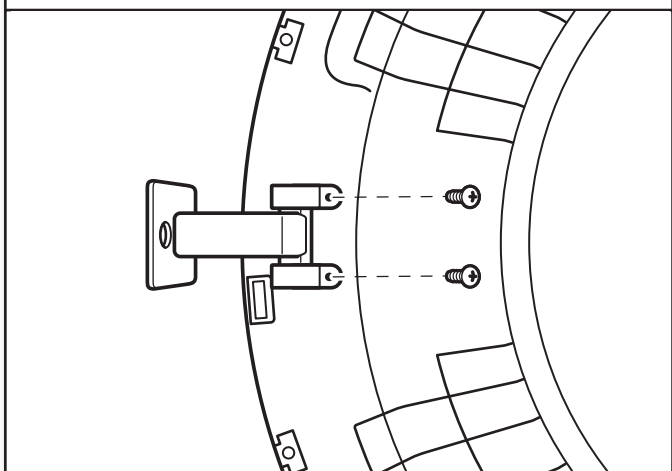
## 10. Replacer l'ensemble de rotation et le tube



Replacer l'ensemble de rotation et le tube de 180°, du côté opposé de la porte.

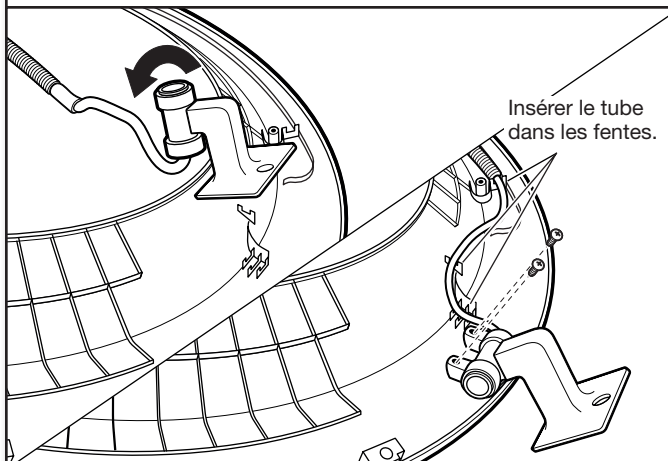
### PORTES AVEC CÂBLAGE ÉLECTRIQUE :

## 9. Enlever l'ensemble de rotation



Soulever le panneau interne de porte. À l'aide d'un tournevis cruciforme, retirer les deux vis fixant l'ensemble de rotation à la porte.

## 11. Faire tourner la base de l'ensemble et serrer en place



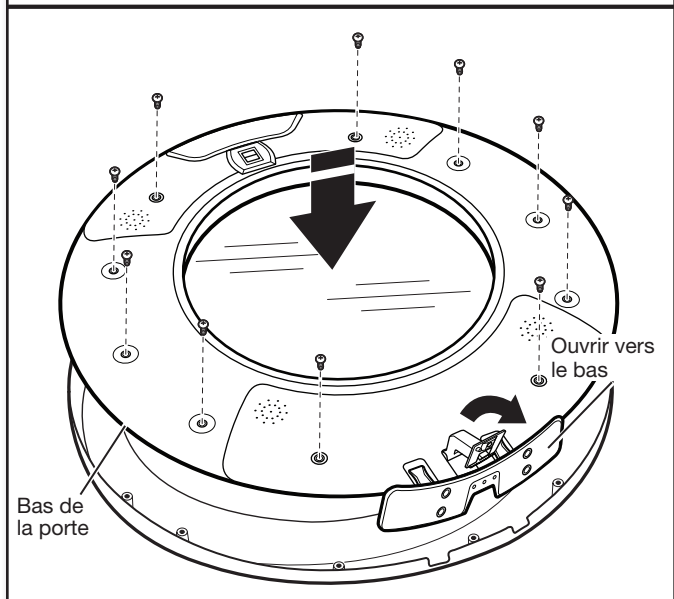
Faire tourner la base de l'ensemble de 180° vers vous et le fixer à l'aide des deux vis enlevées précédemment à l'aide d'un tournevis cruciforme. Insérer le tube dans les fentes.

**IMPORTANT :** S'assurer d'ouvrir la charnière vers le bas en avant de l'ensemble de rotation (voir l'étape 12).



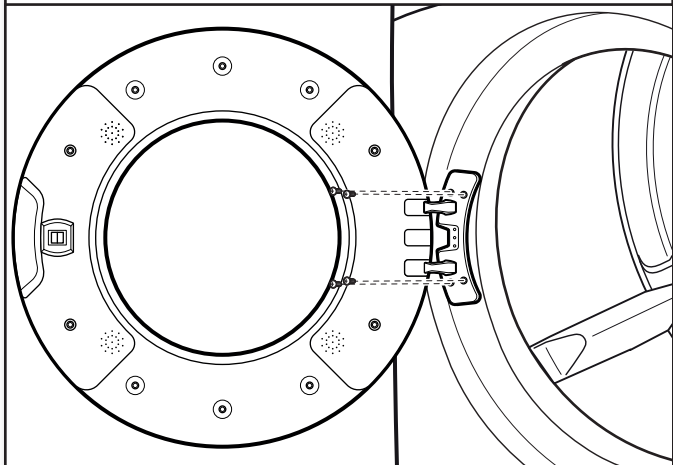
## TOUTES LES PORTES :

### 12. Réinstaller l'intérieur de porte



Positionner la porte de façon à ce que l'intérieur de la porte soit orienté vers le haut. À l'aide d'un tournevis cruciforme, réinstaller les 10 vis enlevées précédemment pour fixer l'intérieur de porte à l'extérieur de porte.

### 13. Réinstaller la porte sur la sècheuse

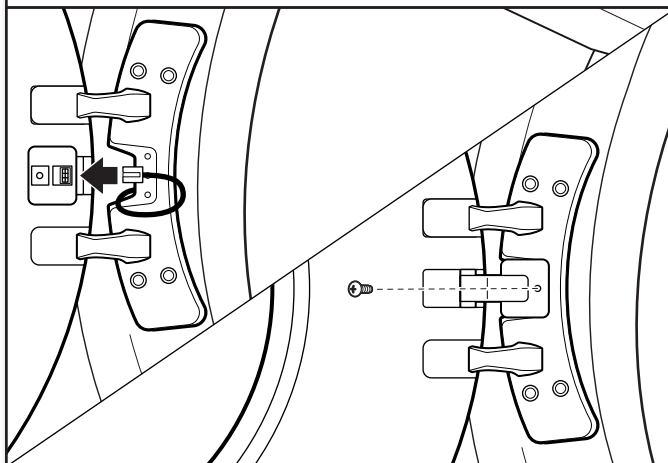


**Portes avec câblage électrique :** Passer le câblage par l'ouverture du panneau avant, avant de réinstaller la porte.

Insérer les ongles sur la charnière dans l'encoche de montage et les faire glisser vers le bas pour engager l'onglet supérieur. Fixer avec les quatre vis T25® enlevées précédemment.

## PORTES AVEC CÂBLAGE ÉLECTRIQUE :

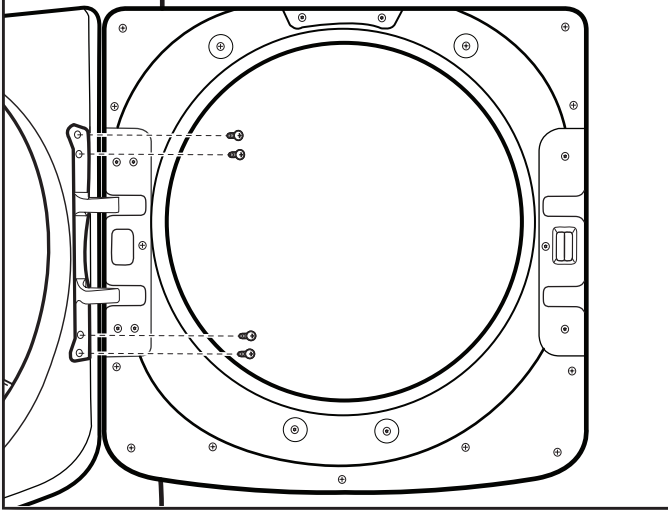
### 14. Reconnecter le câblage



Brancher le câblage. À l'aide d'un tournevis cruciforme, fixer l'ensemble de rotation à la charnière en utilisant la vis enlevée précédemment.

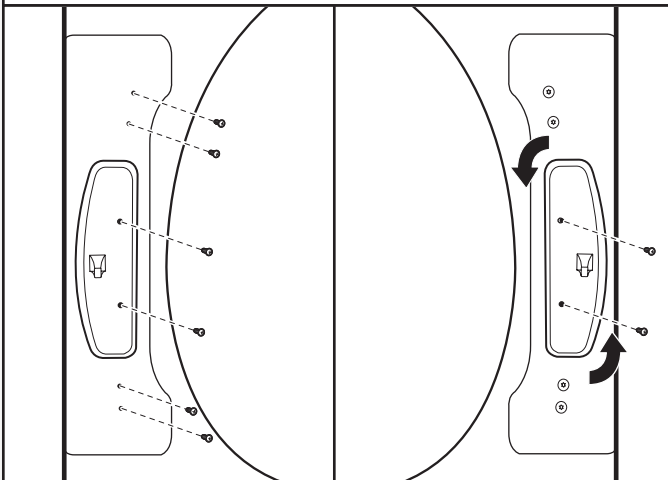
## INVERSION DU SENS D'OUVERTURE DE LA PORTE CARRÉE

### 1. Retirer la porte de la sécheuse



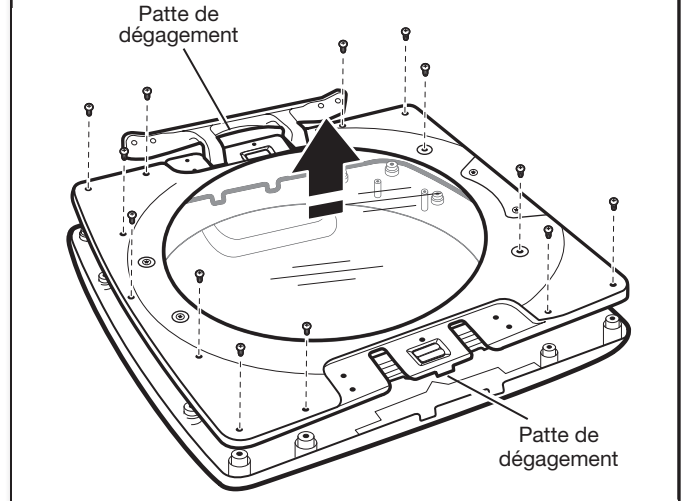
À l'aide d'un tournevis T25®, retirer les quatre vis fixant la charnière de porte à la sécheuse et soulever la porte pour la retirer. Placer la porte sur une serviette douce ou sur une surface lisse. Conserver ou mettre les quatre vis de côté.

### 2. Déplacer la gâche de la porte



À l'aide d'un tournevis T25®, retirer les deux vis fixant la gâche de la porte au châssis de la porte de la sécheuse. Retirer les quatre vis au-dessus et en dessous de la gâche de la porte et les mettre de côté pour utilisation ultérieure. Faire pivoter la gâche de 180° et la fixer au côté opposé du châssis de la porte de la sécheuse, tel qu'indiqué.

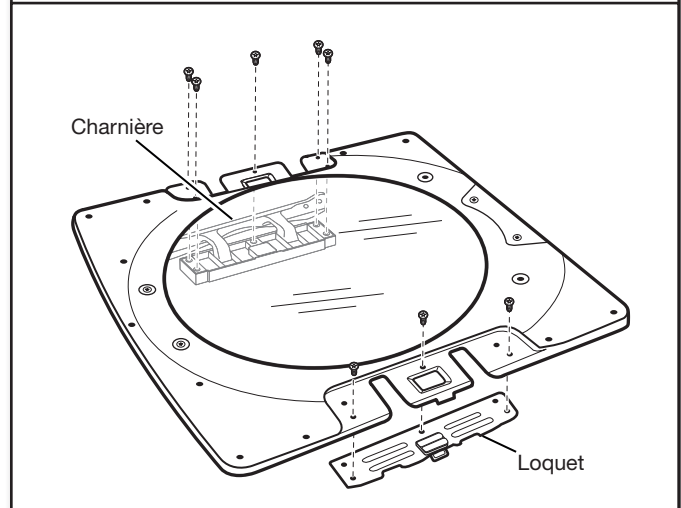
### 3. Dégager la porte interne de la porte externe



Positionner la porte de façon à ce que l'intérieur de la porte soit orienté vers le haut. À l'aide d'un tournevis Phillips, retirer les 13 vis fixant la porte interne à la porte externe. Soulever la porte interne pour la dégager et la mettre de côté.

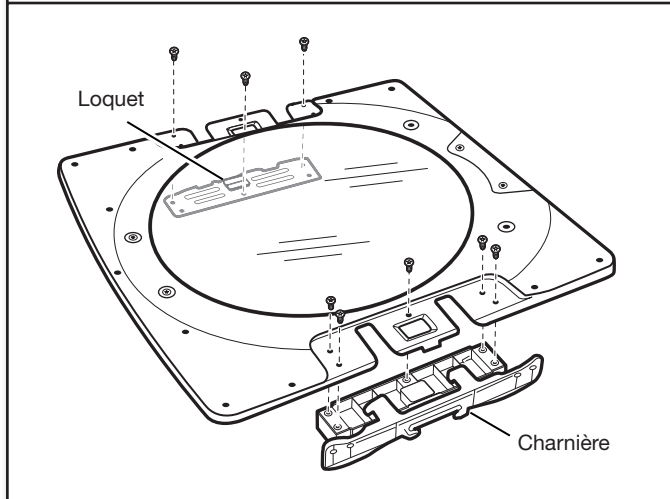
**REMARQUE :** Une petite patte de dégagement se trouve de chaque côté de la porte. Si la porte interne ne se dégage pas facilement de la porte externe, introduire une carte de crédit, un couteau à mastic ou un autre objet plat similaire entre la porte interne et la porte externe aux emplacements indiqués pour dégager la patte.

### 4. Retirer la charnière et le loquet de la porte interne



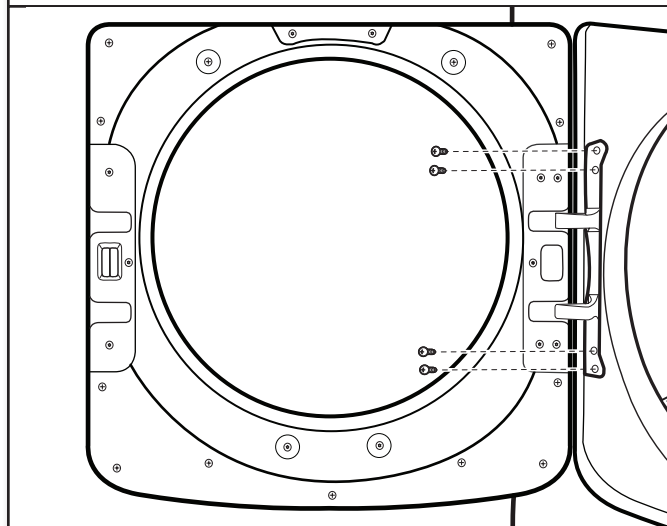
À l'aide d'un tournevis T25®, retirer les trois vis fixant la plaque de protection du loquet et la plaque de support du loquet; retirer aussi les cinq vis maintenant la charnière en place.

## 5. Réinstaller la charnière et le loquet sur chaque côté



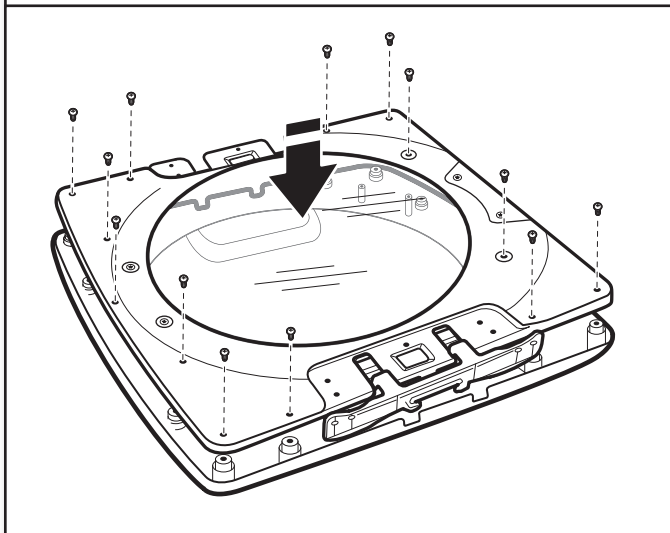
À l'aide d'un tournevis T25<sup>®</sup>, réinstaller la plaque de protection du loquet, la plaque de support du loquet et la charnière sur les côtés dont elles ont été respectivement retirées.

## 7. Réinstaller la porte sur la sécheuse



À l'aide d'un tournevis T25<sup>®</sup>, réinstaller les quatre vis fixant la charnière de la porte à la sécheuse.

## 6. Réinstaller la porte interne sur la porte externe



Placer la porte interne sur la porte externe. Avec un tournevis Phillips, visser les 13 vis retirées précédemment.

